

Owner's Manual *For* *Automatic Transfer Switch*

150 - 200 Amp, Integrated Meter Transfer Switch, Service Entrance Rated

Model Number

Integrated Ringed Meter Transfer Switch

RXUW200A3 – 200A

RXUW150A3 – 150A

Upgradeable Integrated Ringless Meter Transfer Switch

RBU200A3 – 200A

RBU150A3 – 150A

G0074000 – RBU Transfer Switch Upgrade Kit

MODEL NUMBER: _____

SERIAL NUMBER: _____

DATE PURCHASED: _____

WWW.GENERAC.COM

1-888-GENERAC

(1-888-436-3722)



 **WARNING**

CANCER AND REPRODUCTIVE HARM

www.P65Warnings.ca.gov

(000393a)

Table of Contents

Section 1: Safety

Introduction	1
Read This Manual Thoroughly	1
Safety Rules	1
Electrical Hazards	2
General Hazards	3

Section 2: General Information

Unpacking	5
Contents in Loose Parts Bag	5
Equipment Description	5
Transfer Switch Mechanism (RXUW Models or RBU with Upgrade Kit (G007400) Installed)	5
Utility Service Circuit Breaker	6
Transfer Switch Data Decal	6
Transfer Switch Enclosure	6
Safe Use of Transfer Switch	6
Load Management Options	7
Smart A/C Module (SACM)	7
Application Considerations	7
Accessories	8

Section 3: Installation

Introduction to Installation	9
Mounting	9
Open Enclosure	9
Connecting Power Source (RBU and RXUW)	10
Connecting Alternate Power Source (RXUW Only)	10
Connecting Start Circuit Wires	13
Connecting SACM	13
Control of Air Conditioner Load	13
Auxiliary Contact	13
Fault Current Label	14
Install Upgrade Kit G0074000 (RBU Only)	14

Section 4: Operation (RXUW Models and Upgraded RBU with G007400 Kit Only)

Functional Tests and Adjustments	15
Manual Operation	15
Close to Utility Source Side	15
Close to Generator Source Side	16
Return to Utility Source Side	16
Voltage Checks	16
Utility Voltage Checks	16
Generator Voltage Checks	16
Generator Tests Under Load	16
Checking Automatic Operation	17
Installation Summary	17
Shutting Generator Down While Under Load or During a Utility Outage	17
Preparing for Maintenance	18
Testing The SACM	18
SACM Fuse Service	18

Section 5: Drawings and Diagrams

Installation Drawings—150-200A SER Meter Main	19
Interconnection Drawings—Liquid-Cooled Generator	20
Interconnection Drawings—Liquid-Cooled Generator	21
Exploded View of RXUW Model	22
Exploded View of RXUW Model	23
Exploded View of RBU Model	26
Exploded View of RBU Model	27
Accessory KIT 200A XFRSW W SACM G0074000	30
Accessory Kit ATS Ring Cover G0074010	31
Accessory Kit Meter Jaw 5th Terminal G0074020	32
Accessory Kit Flash Shield G0074040	33
Accessory Kit Side Bus G0074050	34
Accessory Kit Pedestal 24 in. Extension G0074060	35

Accessory Kit Pedestal 48 in. Extension	
G0074070	36
Accessory Kit ATS Ringless Cover	
G0074080	37
Accessory Kit Tamper Proof Upper Cover	
G0074100	38

Section 1: Safety

Introduction

Thank you for purchasing a Generac Power Systems Inc. product. This unit has been designed to provide high performance, efficient operation, and years of use when maintained properly.

NOTE: Before selecting this switch, verify that it is approved by your local Utility Service Provider. Visit www.generac.com/integrated-meter-approval to view list of utility service providers by state.

Read This Manual Thoroughly



Consult Manual. Read and understand manual completely before using product. Failure to completely understand manual and product could result in death or serious injury. (000100a)

If any section of this manual is not understood, contact the nearest Independent Authorized Service Dealer (IASD) or Generac Customer Service at 1-888-436-3722 (1-888-GENERAC), or visit www.generac.com for starting, operating, and servicing procedures. The owner is responsible for proper maintenance and safe use of the unit.

SAVE THESE INSTRUCTIONS for future reference. This manual contains important instructions that must be followed during placement, operation, and maintenance of the unit and its components. Always supply this manual to any individual that will use this unit, and instruct them on how to correctly start, operate, and stop the unit in case of emergency.

Safety Rules

The manufacturer cannot anticipate every possible circumstance that might involve a hazard. The alerts in this manual, and on tags and decals affixed to the unit, are not all inclusive. If using a procedure, work method, or operating technique that the manufacturer does not specifically recommend, verify that it is safe for others and does not render the equipment unsafe.

Throughout this publication, and on tags and decals affixed to the unit, DANGER, WARNING, CAUTION, and NOTE blocks are used to alert personnel to special instructions about a particular operation that may be hazardous if performed incorrectly or carelessly. Observe them carefully. Alert definitions are as follows:



Indicates a hazardous situation which, if not avoided, will result in death or serious injury.

(000001)



Indicates a hazardous situation which, if not avoided, could result in death or serious injury.

(000002)



Indicates a hazardous situation which, if not avoided, could result in minor or moderate injury.

(000003)

NOTE: Notes contain additional information important to a procedure and will be found within the regular text of this manual.

These safety alerts cannot eliminate the hazards that they indicate. Common sense and strict compliance with the special instructions while performing the action or service are essential to preventing accidents.

Electrical Hazards



⚠ DANGER

Electrocution. High voltage is present at transfer switch and terminals. Contact with live terminals will result in death or serious injury.

(000129)



⚠ DANGER

Electrocution. Water contact with a power source, if not avoided, will result in death or serious injury.

(000104)



⚠ DANGER

Electrocution. In the event of electrical accident, immediately shut power OFF. Use non-conductive implements to free victim from live conductor. Apply first aid and get medical help. Failure to do so will result in death or serious injury.

(000145)

⚠ DANGER

Electrical backfeed. Use only approved switchgear to isolate generator from the normal power source. Failure to do so will result in death, serious injury, and equipment damage.

(000237)



⚠ DANGER

Electrocution, equipment and property damage. Handle transfer switches carefully when installing. Never install a damaged transfer switch. Doing so could result in death or serious injury, equipment and property damage.

(000195)



⚠ DANGER

Electrocution. Turn utility supply OFF before working on utility connections of the transfer switch. Failure to do so will result in death or serious injury.

(000123)



⚠ DANGER

Electrocution. Do not disable or modify the connection box door safety switch. Doing so will result in death or serious injury.

(000157)

⚠ DANGER

Automatic start-up. Disconnect utility power and render unit inoperable before working on unit. Failure to do so will result in death or serious injury.

(000191)

⚠ DANGER

Equipment malfunction. Installing a dirty or damaged transfer switch will cause equipment malfunction and will result in death or serious injury.

(000119)

⚠ WARNING

Electric shock. Only a trained and licensed electrician should perform wiring and connections to unit. Failure to follow proper installation requirements could result in death, serious injury, and equipment or property damage.

(000155a)

⚠ CAUTION

Equipment damage. Verify all conductors are tightened to the factory specified torque value. Failure to do so could result in damage to the switch base.

(000120)

⚠ CAUTION

Equipment damage. Perform functional tests in the exact order they are presented in the manual. Failure to do so could result in equipment damage.

(000121)

⚠ CAUTION

Equipment damage. Exceeding rated voltage and current will damage the auxiliary contacts. Verify that voltage and current are within specification before energizing this equipment.

(000134a)

General Hazards

⚠ DANGER

Electrical backfeed. Use only approved switchgear to isolate generator from the normal power source. Failure to do so will result in death, serious injury, and equipment damage.

(000237)



⚠ DANGER

Electrocution. High voltage is present at transfer switch and terminals. Contact with live terminals will result in death or serious injury.

(000129)



⚠ DANGER

Electrocution. Turn utility supply OFF before working on utility connections of the transfer switch. Failure to do so will result in death or serious injury.

(000123)



⚠ DANGER

Electrocution. Water contact with a power source, if not avoided, will result in death or serious injury.

(000104)



⚠ DANGER

Electrocution. Do not wear jewelry while working on this equipment. Doing so will result in death or serious injury.

(000188)



⚠ DANGER

Electrocution. Only authorized personnel should access transfer switch interior. Transfer switch doors should be kept closed and locked. Failure to do so will result in death or serious injury.

(000213)

⚠ DANGER

Automatic start-up. Disconnect utility power and render unit inoperable before working on unit. Failure to do so will result in death or serious injury.

(000191)



⚠ DANGER

Electrocution. In the event of electrical accident, immediately shut power OFF. Use non-conductive implements to free victim from live conductor. Apply first aid and get medical help. Failure to do so will result in death or serious injury.

(000145)



⚠ WARNING

Loss of life. This product is not intended to be used in a critical life support application. Failure to adhere to this warning could result in death or serious injury.

(000209b)

⚠ WARNING

Equipment damage. This unit is not intended for use as a prime power source. It is intended for use as an intermediate power supply in the event of temporary power outage only. Doing so could result in death, serious injury, and equipment damage.

(000247a)

- Competent, qualified personnel should install, operate, and service this equipment. Adhere strictly to local, state and national electrical and building codes. When using this equipment, comply with regulations established by the National Electrical Code (NEC), CSA Standard; the Occupational Safety and Health Administration (OSHA), or the local agency for workplace health and safety.
- If working on this equipment while standing on metal or concrete, place insulative mats over a dry wood platform. Work on this equipment only while standing on such insulative mats.
- Never work on this equipment while physically or mentally fatigued.
- Any voltage measurements should be performed with a meter that meets UL3111 safety standards, and meets or exceeds overvoltage class CAT III.

This page intentionally left blank.

Section 2: General Information

Unpacking

Carefully unpack the transfer switch. Inspect closely for any damage that might have occurred during shipment. The purchaser must file with the carrier any claims for loss or damage incurred while in transit.

Verify all packing material is completely removed from the switch prior to installation.

Contents in Loose Parts Bag

- Owner’s manual
- Warranty statement
- Manual operating handle (not included in RBU models)
- Storage bracket for manual operating handle (not included in RBU models)
- Fault current label
- Clear decal for fault current label

Equipment Description

This automatic transfer switch is used for transferring electrical load from a utility (normal) power source to a generator (standby) power source. Transfer of electrical loads occurs automatically when the utility power source has failed or is substantially reduced and the generator source voltage and frequency have reached an acceptable level. The transfer switch prevents electrical feedback between two different power sources (such as the utility and generator sources) and, for that reason, codes require it in all standby electric system installations.

The transfer switch consists of a transfer mechanism, utility service disconnect circuit breaker (if equipped), and a Smart A/C module incorporating fuses and two terminal blocks for transfer switch connections.

This transfer switch is equipped with a separately accessible Utility Entry cabinet which houses a standard 4 Jaw Meter Socket. It is provided with a means for the Electrical Utility provider to lock. An optional 5th Jaw Kit is available if required.

The lower cabinet contains the Automatic Transfer Switch and Service Disconnect Main Circuit Breaker with Load Shed Module and customer terminations. RBU Models do not come equipped with a transfer switch. They may be upgraded to include a transfer switch with G0074000 Upgrade Kit.

NOTE: Meters are retained by either a Ring or Ringless method. Verify you have the proper type to meet local code requirements.

Transfer Switch Mechanism (RXUW Models or RBU with Upgrade Kit (G007400) Installed)

See **Figure 2-1**. This switch is used with a single-phase system when the single-phase neutral line is to be connected to a neutral lug and is not to be switched.

Solderless, screw-type terminal lugs are standard.

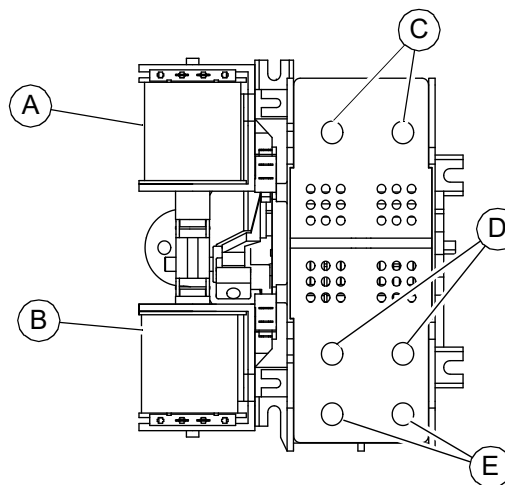
The conductor size range of the 4 Jaw Meter Socket is as follows:

Switch Rating	Wire Range	Conductor Tightening Torque
150/200A	#6-250 MCM (Cu/Al)	275 in-lbs (31 Nm)

This transfer switch is suitable for control of motors, electric discharge lamps, tungsten filament and electric heating equipment where the sum of motor full load ampere ratings and the ampere ratings of other loads do not exceed the ampere rating of the switch and the tungsten load does not exceed 30 percent of the switch rating.

This ETL listed transfer switch is for use in optional standby systems only (NEC article 702).

A 150A or 200A rated switch is suitable for use on a circuit capable of 22,000 RMS symmetrical amperes, 240 VAC when protected by a circuit breaker without an adjustable short time response or by fuses.



000219

Figure 2-1. Typical Single-Phase ATS Transfer Mechanism

A	Utility Closing Coil
B	Generator Closing Coil
C	Utility Lugs (N1 & N2)
D	Generator Lugs (E1 & E2)
E	Load Lugs (T1 & T2)

Utility Service Circuit Breaker

The utility service circuit breakers for 150/200 amp models are:

- Type 225AF, 2-pole
- 22,000 A/C
- 120/240VAC, 150A/200A
- 50/60 Hertz

Transfer Switch Data Decal

A data decal is permanently affixed to the transfer switch enclosure. Use this transfer switch only with the specific limits shown on the data decal and on other decals and labels that may be affixed to the switch. This will prevent damage to equipment and property.

When requesting information or ordering parts for this equipment, make sure to include all information from the data decal.

For future reference, record the Model and Serial numbers in the space provided on the front cover of this manual.

Transfer Switch Enclosure

The standard switch enclosure is a National Electrical Manufacturer's Association (NEMA) and 3R type. ETL and NEMA 3R (indoor/outdoor rated) type enclosures primarily provide a degree of protection against falling rain and sleet; are undamaged by the formation of ice on the enclosure.

Safe Use of Transfer Switch



WARNING

Consult Manual. Read and understand manual completely before using product. Failure to completely understand manual and product could result in death or serious injury. (000100a)

Before installing, operating or servicing this equipment, read the **Safety Rules** carefully. Comply strictly with all **Safety Rules** to prevent accidents and/or damage to the equipment. The manufacturer recommends that a copy of the **Safety Rules** be posted near the transfer switch. Also, be sure to read all instructions and information found on tags, labels and decals affixed to the equipment.

Publications that outline the safe use of transfer switches are the following:

- NFPA 70; National Electrical Code
- UL 1008: Standard for Safety—Automatic Transfer Switches
- UL 891 (Busbar)
- ANSI C12.7 Meter Sockets

NOTE: It is essential to use the latest version of any standard to guarantee correct and current information.

Load Management Options

Load management systems are designed to work together to prevent a generator from being overloaded by large appliance loads. A Smart A/C Module (SACM) is provided as standard equipment with this switch. An optional Smart Management Module (SMM) is also available.

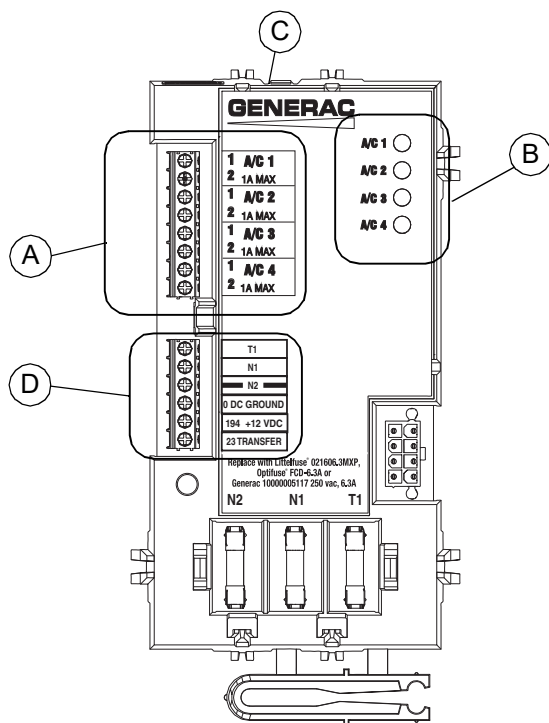
Smart A/C Module (SACM)

Up to four air conditioner loads can be managed by the SACM. The SACM manages the loads by “shedding” the connected loads in the event of a drop in generator frequency (overload). Loads to be “shed” are in four priority levels on the module.

See [Figure 2-2](#). Priorities A/C 1-4 (A) have connections for an air conditioner. To control an air conditioner, no additional equipment is required. Internal normally closed relays interrupt the 24 VAC thermostat control signal to disable the air conditioner load.

Four LEDs, located on the SACM (B), illuminate when a load is connected and powered.

See [Figure 2-2](#). The SACM has a test button (C) used to simulate an overload condition. This button operates even when the transfer signal is inactive. The Generator Control Wiring is connected to terminals (D).



006783

Figure 2-2. Smart A/C Module (SACM)

Application Considerations

Generator overload condition is determined by generator frequency. Loads are shed when frequency is less than 58 Hz for three seconds or less than 50 Hz for ½ second (for 60 Hz systems).

The SACM can be used in conjunction with individual SMMs to manage a combined total of eight loads.

- Use Priorities A/C 1-4 on the SACM as the top priorities, then up to four SMMs as Priorities 5-8.
- Use only select A/C priorities on the SACM as the top priorities, then use additional SMMs as the remaining priorities.
- A SMM can share a priority with an A/C priority on the SACM provided the generator is sized to handle the combined surge load from both appliances. Sharing priorities can allow up to 12 loads to be managed in a properly sized system.

In any combination of modules, the recovery times after a loss of utility power or shutdown due to overload are shown in [Table 1](#).

Table 1. Priority Settings

Priority	Recovery Time	SACM	SSMM
1	5 minutes	Yes	Yes
2	5 minutes 15 seconds	Yes	Yes
3	5 minutes 30 seconds	Yes	Yes
4	5 minutes 45 seconds	Yes	Yes
5	6 minutes	NA	Yes
6	6 minutes 15 seconds	NA	Yes
7	6 minutes 30 seconds	NA	Yes
8	6 minutes 45 seconds	NA	Yes

See the SMM Owner's/Installation Manual for detailed characteristics and specifications of that product.

Accessories

Accessory	Description
G0074000 RBU Transfer Switch Upgrade Kit	Includes all pieces to perform conversion of a RBU Meter Main into a RXUW Transfer Switch.
G0074010 Ring Style Meter Cover	Replacement outer top cover and sealing ring for ring style meter retainment. Verify you have the proper type to meet local code requirements.
G0074020 Fifth Jaw Metering Kit	Includes all pieces necessary to perform conversion of the standard Four Jaw Meter Socket into a Five Jaw Meter Socket. Verify you have the proper type to meet local code requirements.
G0074030 Horn Bypass	Replacement meter jaws for horn bypass type meter sockets. Verify you have the proper type to meet local code requirements.
G0074040 Meter Safety Flash Shield	Safety flash shield for standard and horn bypass type meter jaws. Used with ring-less style meter retainment.
G0074050 Side Connection Lug Kit	Includes all pieces necessary to convert the standard four jaw meter socket into a socket with side lug line connections.
G0074060 24 in. Pedestal Extension	Includes all pieces to extend the transfer switch enclosure by 24 in. for underground service feed.
G0074070 48 in. Pedestal Extension	Includes all pieces to extend the transfer switch enclosure by 48 in. for underground service feed.
G0074080 Ringless Cover	Replacement outer top cover for Ringless style meter retainment. Verify you have the proper type to meet local code requirements.
G074100 Tamper Proof Lid	Tamper proof assembly used with ring style meter retainment. Verify you have the proper type to meet local code requirements.
A0000018981 Ultrasonic Cleaner Solution	Cleaning solution safe for metal and plastic surfaces. Contains 1 gal (128 oz).
A0000019001 Corrosion Inhibitor and Protectant	Protectant for outdoor plastic, rubber, leather and vinyl surfaces. Contains 0.12 gal (15 oz).

Section 3: Installation

Introduction to Installation

This equipment has been wired and tested at the factory. Installing the switch includes the following procedures:

- Mounting the enclosure.
- Connecting power source and load leads.
- Connecting the generator start and sensing circuit.
- Connecting any auxiliary contact (if needed).
- Testing functions.

Mounting

Mounting dimensions for the transfer switch enclosure are in this manual. Enclosures are typically wall-mounted. See [Drawings and Diagrams](#).

⚠ DANGER

Equipment malfunction. Installing a dirty or damaged transfer switch will cause equipment malfunction and will result in death or serious injury.

(000119)

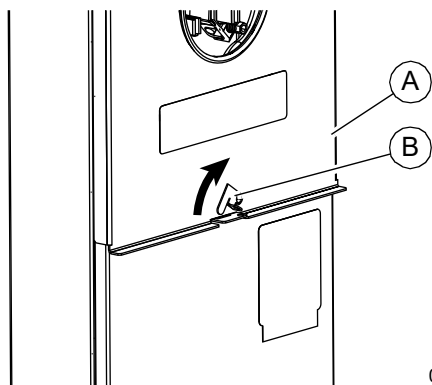
This transfer switch is mounted in a ETL type 3R enclosure. It can be mounted outside or inside and should be based on the layout of installation, convenience and proximity to the utility supply and load center.

Install the transfer switch as close as possible to the electrical loads that are to be connected to it. Mount the switch vertically to a rigid supporting structure. To prevent switch distortion, level all mounting points. If necessary, use washers behind mounting holes to level the unit.

Open Enclosure

See [Figure 3-1](#). First, remove outer top cover (A):

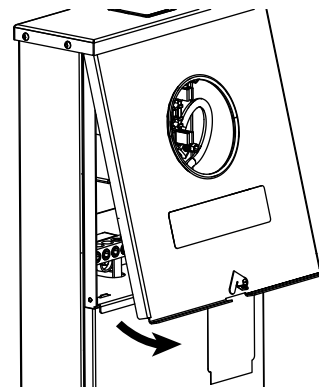
1. Rotate latch (B) clockwise until clear of latch hole.



010086

Figure 3-1. Rotate Latch

2. See [Figure 3-2](#). Tilt cover as shown and pull away from enclosure.



010087

Figure 3-2. Tilt Cover

See [Figure 3-3](#). Remove outer bottom cover (C):

3. Remove thumb screw (D).
4. Slide slot (E) over retention tab.
5. Lower cover until clear of flange (F), and pull away from enclosure.

Remove inner panel (G):

6. Loosen nut (H) until it clears t-slot (I) in inner panel.
7. Grasp inner panel at two cutouts (J—left and right). Tilt inner panel as shown, passing nut through t-slot.
8. Lower inner panel until clear of two retention slots (K—left and right sides), and pull away from enclosure.

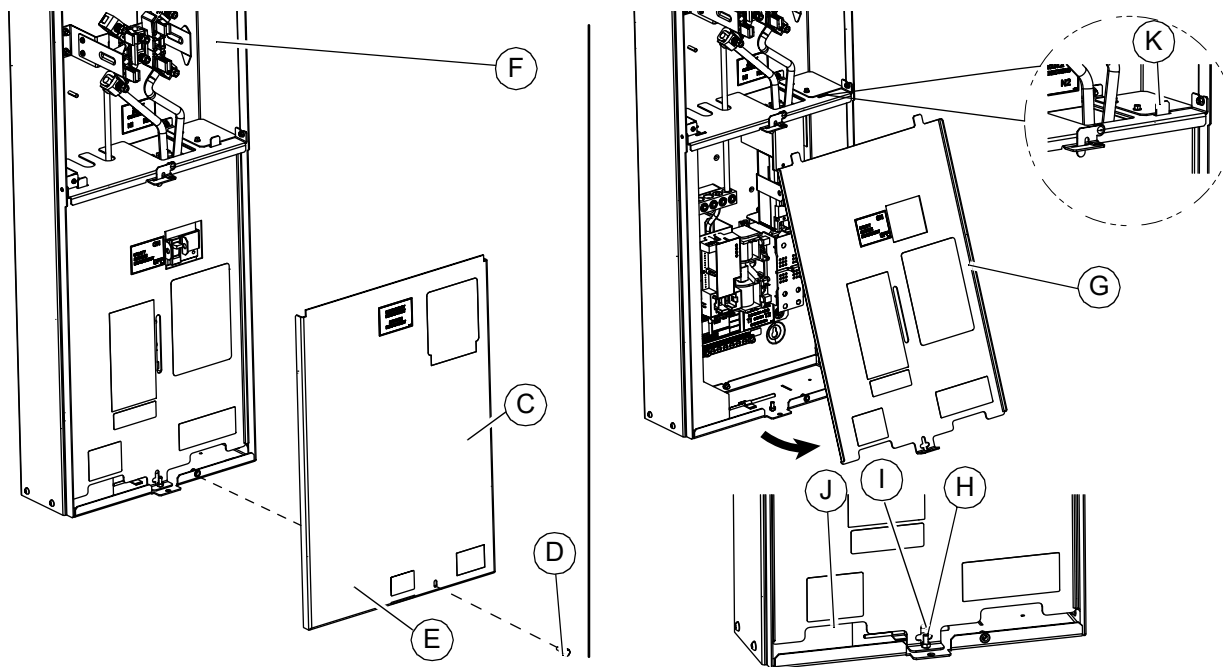


Figure 3-3. Remove Bottom Cover and Panel

010088a

Connecting Power Source (RBU and RXUW)



⚠ DANGER

Electrocution. Turn utility and emergency power supplies to OFF before connecting power source and load lines. Failure to do so will result in death or serious injury. (000116)

Installation and interconnection diagrams are provided in this manual.

NOTE: All installations must comply with national, state and local codes. It is the responsibility of the installer to perform an installation that will pass the final electrical inspection.

1. Select the upper or one of the lower utility cable entry points. Should the lower utility entry point need the utility wire duct relocated to the opposite side, do so now. The duct is designed to be installed on either side.
2. See [Figure 3-4](#). Connect utility supply at the Four Jaw Meter Socket terminals N1 and N2. Follow torque specifications listed on the circuit breaker. Available utility entry points are the top, the bottom left or the bottom right. The wire duct is reversible for left or right wire entry applications as needed.

3. Connect utility grounded conductor to the Upper Neutral and Ground terminals. Neutral and Ground terminals are bonded to each other with a jumper wire (A).
4. If applicable, connect Solar directly to Utility at S1 and S2 with Lugs provided on bus under circuit breaker cover as local codes permit.
5. Utility authorized personnel may install the meter into the meter socket. The Upper Utility Access Panel may now be installed and “sealed” as required by local utility.

NOTE: Neutral to Ground jumper wire (A) is provided for use if required by local codes.

Connecting Alternate Power Source (RXUW Only)

1. See [Figure 3-4](#). Connect generator to the generator terminals (E1 and E2) on the transfer mechanism.
2. Connect the generator neutral wire to the neutral lug.
IMPORTANT NOTE: A jumper wire bonds the neutral lug for optional 5th Jaw Kit installation. NEVER remove this wire.
3. Connect the subpanel supply to lower T1 and T2 Terminals. Connect subpanel Neutral and Ground to lower Neutral (C1) and Ground (C2) bars.

Conductor sizes must be adequate to handle the maximum current to which they will be subjected, based on the 75 °C column of tables and charts used to size conductors. The installation must comply fully with all applicable codes, standards, and regulations.

Knockouts into the transfer switch can be made in the field as needed for entry of power cables and conduit. Conduit entry shall maintain the proper wire bending spaces required by Tables 312.6 (A) and (B) in the NEC. Conduits should be arranged to provide separation between the Utility and Generator supply conductors inside the enclosure.

For transfer switches installed in wet locations, power cables or conduits entering above the level of uninsulated live parts shall use fittings listed for use in wet locations as required by 312.2 in the NEC.

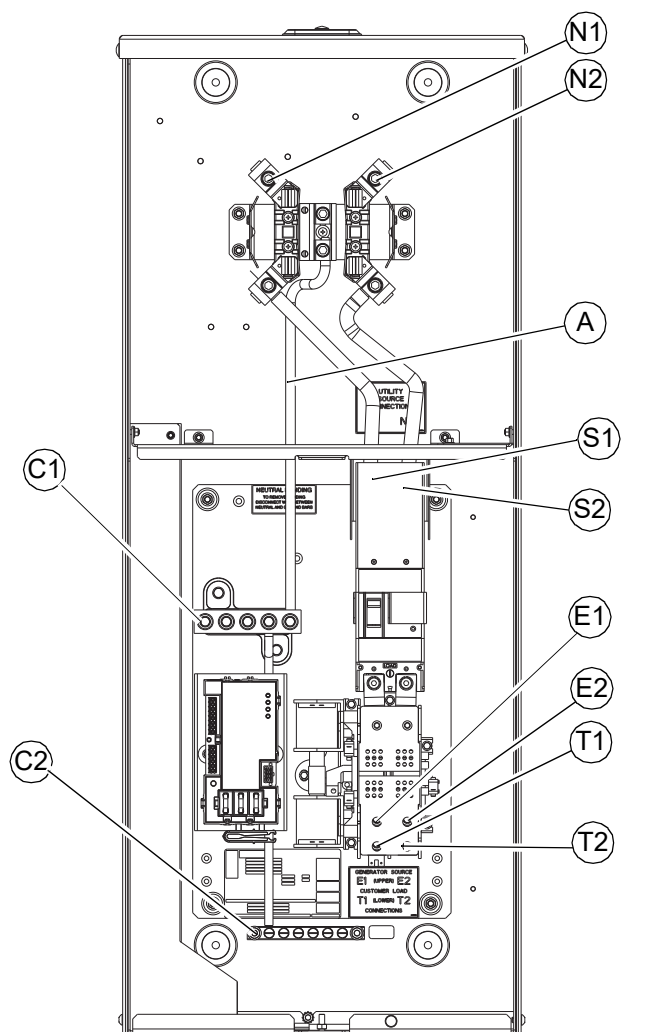
NOTE: If aluminum conductors are used, apply corrosion inhibitor to conductors. After tightening terminal lugs, carefully wipe away any excess corrosion inhibitor.

Tighten terminal lugs to the torque values as noted on the decal located on the inside of the door. After tightening terminal lugs, carefully wipe away any excess corrosion inhibitor.

CAUTION

Equipment damage. Verify all conductors are tightened to the factory specified torque value. Failure to do so could result in damage to the switch base.

(000120)



011961b

Figure 3-4. Wiring Connections

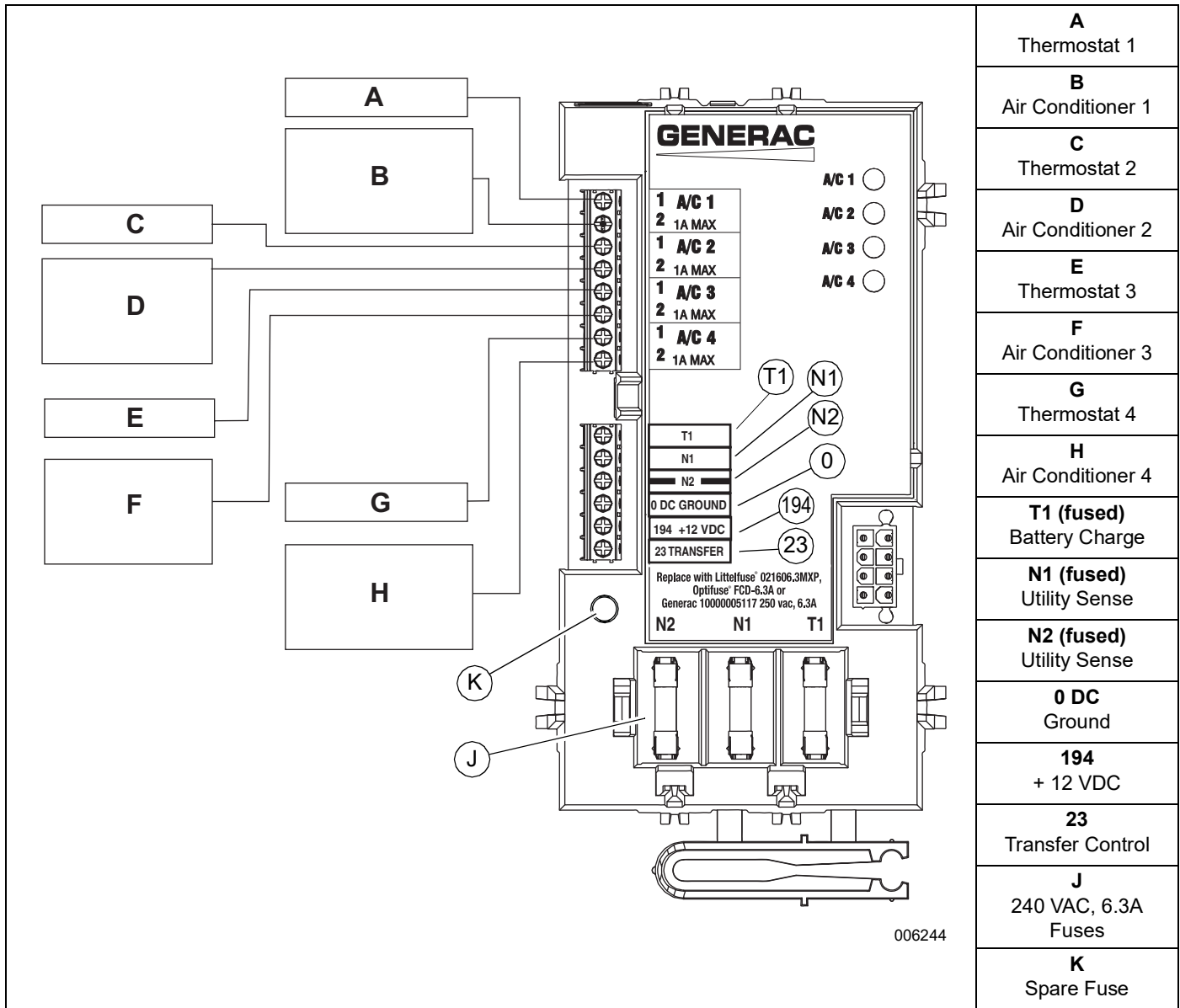


Figure 3-5. Typical SACM Connections

Connecting Start Circuit Wires

Control system interconnections consist of N1, N2, and T1, and leads 23, 0, and 194 (see [Figure 3-5](#)).

NOTE: Generac Type TC-ER-JP power and control tray cable can be installed as permitted by the 2017 NEC. Type TC-ER-JP cable contains color-coded power and control conductors.

The generator control wiring is a Class 1 signaling circuit. Reference instruction manual of specific engine generator for wiring connection details. Screw heads are straight bladed and cross-bladed, and should be tightened to 3.5 in-lb (0.4 Nm).

Recommended wire gauge sizes depend on wire length as specified in the following chart: Consult factory if you are operating more than one transfer switch and SACM.

Recommended Wire Size	Maximum Wire Length
	(One transfer switch and load shed module)
No. 18 AWG	1–115 ft (0.3–35 m)
No. 16 AWG	116–185 ft (36–56 m)
No. 14 AWG	186–295 ft (57–89 m)
No. 12 AWG	296–460 ft (90–140 m)

Exception: Conductors of AC and DC circuits, rated 1000 volts nominal, or less, shall be permitted to occupy the same equipment, cable, or conduit. All conductors shall have an insulation rating equal to at least the maximum circuit voltage applied to any conductor within the equipment, cable, or conduit. See NEC 300.3(C)(1).

Connecting SACM

See [Figure 3-5](#). The SACM can control an air conditioner (24 VAC) directly.

Control of Air Conditioner Load

1. Route the thermostat cable (from the furnace/ thermostat to the outdoor air conditioner unit) to the transfer switch.
2. Connect the wire to the terminal strip terminals (A/C 1) on the SACM as shown in [Figure 3-5](#). These are normally closed contacts which open upon load shed conditions. Route thermostat wire away from high voltage wires.
3. If required, connect additional air conditioners to the terminal strip terminals (A/C 2-4).

Contact Ratings	
A/C 1-4	24 VAC, 1.0 Amp Max

NOTE: These instructions are for a typical air conditioner installation. Control of certain heat pumps and 2-stage air conditioners may require special connections or the use of SMMs to control the loads.

Auxiliary Contact

See [Figure 3-6](#). If desired, there is one normally-closed Auxiliary Contact (A) on the transfer switch to operate customer accessories, remote advisory lights, or remote annunciator devices. A suitable power source must be connected to the common terminal. If needed, an extra auxiliary contact can be added.

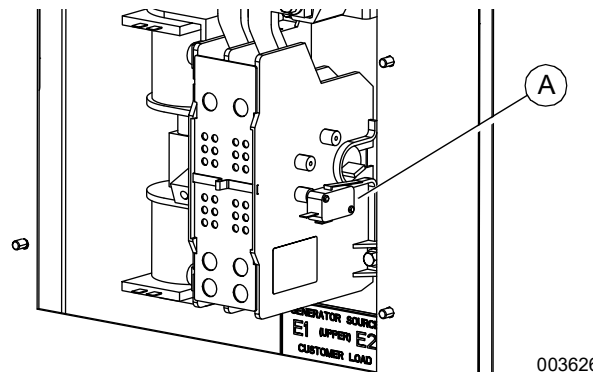


Figure 3-6. Auxiliary Contact

The auxiliary contact is normally closed when the transfer switch is in utility mode. The contacts will open when the transfer switch is in the standby power mode.

NOTE: Auxiliary Contact is rated 10 amps at 125 or 250 volts AC, and 0.6 amps at 125 volts DC.

CAUTION

Equipment damage. Exceeding rated voltage and current will damage the auxiliary contacts. Verify that voltage and current are within specification before energizing this equipment. (000134a)

Fault Current Label

See [Figure 3-7](#). A Fault Current Identification Label is provided in the bag containing the unit Owner's Manual and transfer switch manual operating handle. The 2017 NEC requires that the short-circuit current rating of the transfer equipment, based on the type of overcurrent protective device protecting the transfer equipment, be field marked on the exterior of the transfer equipment. For NEC compliance, verify the required short-circuit current rating of the transfer switch before installation. The completed label provides the local AHJ (Authority Having Jurisdiction) with the information he or she may require during inspection.

Apply the label to the exterior of the transfer switch enclosure. Use a pen to fill in the required information, and then cover the label with the clear protective decal. Contact your system administrator for more information.

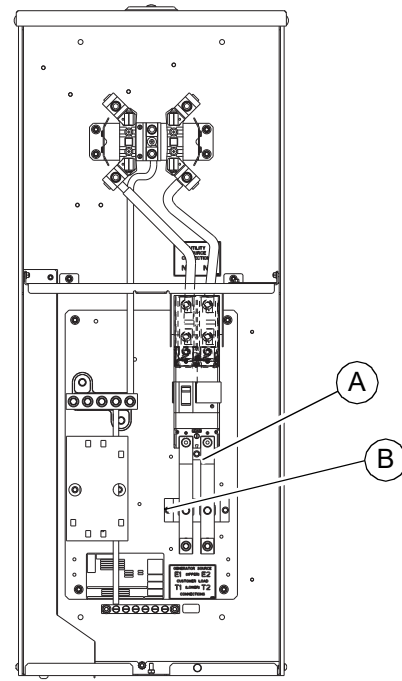
FAULT CURRENT RATING	
AVAILABLE FAULT CURRENT	
DATE	

004496

Figure 3-7. Fault Current Label

Install Upgrade Kit G0074000 (RBU Only)

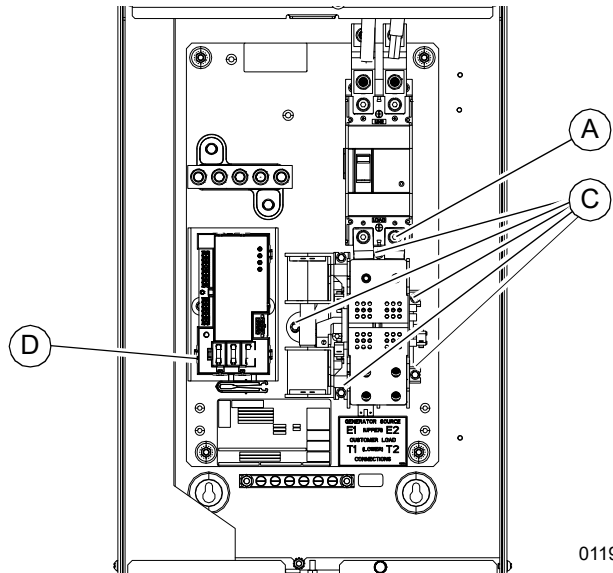
1. See [Figure 3-8](#). Remove screws (A) from bus bar assembly and set aside.
2. Remove screws (B) from bus bar assembly and remove assembly from sub panel.



011962b

Figure 3-8. Remove Bus Bar Assembly

3. See [Figure 3-9](#). Use provided M5 screws (C) to install transfer switch assembly from kit G0074000.
4. Install screws (A) from step 1 and tighten to 72 in-lbs onto circuit breaker.
5. Install SACM unit from kit G074000 into bracket provided (D).
6. Plug harness with 8 pin connector into SACM unit (D).
7. For connecting power and signal wiring, please refer to [Connecting Power Source \(RBU and RXUW\)](#), [Connecting Alternate Power Source \(RXUW Only\)](#), [Connecting Start Circuit Wires](#), and [Connecting SACM](#).



011963

Figure 3-9. Install Kit G0074000

Section 4: Operation (RXUW Models and Upgraded RBU with G007400 Kit Only)

Functional Tests and Adjustments

Following transfer switch installation and interconnection, inspect the entire installation carefully. A competent, qualified electrician should inspect it. The installation should comply strictly with all applicable codes, standards, and regulations. When absolutely certain the installation is proper and correct, complete a functional test of the system.

CAUTION

Equipment damage. Perform functional tests in the exact order they are presented in the manual. Failure to do so could result in equipment damage.

(000121)

IMPORTANT NOTE: Before proceeding with functional tests, read and understand all instructions and information in this section. Also read the information and instructions of labels and decals affixed to the switch. Note any options or accessories that might be installed and review their operation.

Manual Operation



DANGER

Electrocution. Do not manually transfer under load. Disconnect transfer switch from all power sources prior to manual transfer. Failure to do so will result in death or serious injury, and equipment damage.

(000132)

See [Figure 4-1](#). A manual handle (B) is shipped with the transfer switch. Manual operation must be checked BEFORE the transfer switch is operated electrically. To check manual operation, proceed as follows:

1. Verify the generator is OFF.
 2. Turn OFF both utility (service disconnect circuit breaker) and emergency (generator main line circuit breaker) power supplies to the transfer switch.
 3. Note position of transfer mechanism main contacts (A) by observing the movable contact carrier arm. This can be viewed through the long narrow slot in the inside cover. The top of the movable contact carrier arm is yellow for easy identification.
- Manual operation handle in the UP position - LOAD terminals (T1, T2) are connected to utility terminals (N1, N2).

- Manual operation handle in the DOWN position - LOAD terminals (T1, T2) are connected to EMERGENCY terminals (E1, E2).

CAUTION

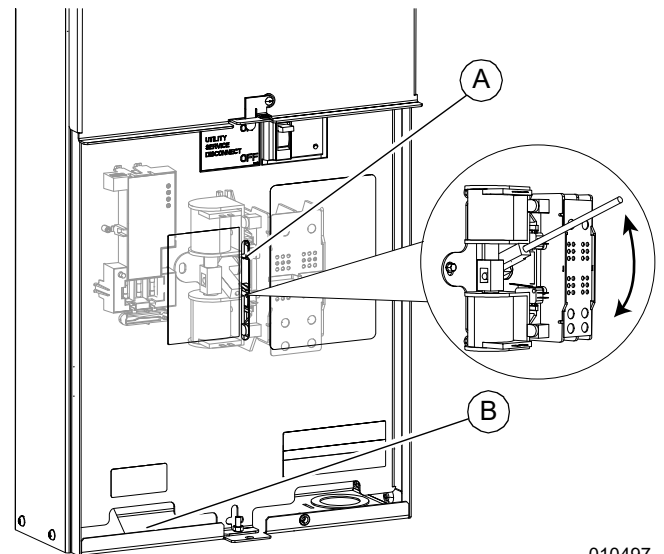
Equipment damage. Do not use excessive force while manually operating the transfer switch. Doing so could result in equipment damage.

(000122)

Close to Utility Source Side

Before proceeding, verify the position of the switch by observing the position of manual operation handle in [Figure 4-1](#). If the handle is UP, the contacts are closed in the utility (normal) position, no further action is required. If the handle is DOWN, proceed with Step 1.

1. With the handle inserted into the movable contact carrier arm, move handle UP. Be sure to hold on to the handle as it will move quickly after the center of travel.
2. Remove manual operating handle from movable contact carrier arm. Return handle to storage bracket.



010497

Figure 4-1. Manual Operation

Close to Generator Source Side

Before proceeding, verify the position of the switch by observing the position of the manual operation handle in [Figure 4-1](#). If the handle is DOWN, the contacts are closed in the generator (standby) position. No further action is required. If the handle is UP, proceed with Step 1.

1. With the handle inserted into the movable contact carrier arm, move the handle DOWN. Be sure to hold on to the handle as it will move quickly after the center of travel.
2. Remove manual operating handle from movable contact carrier arm. Return handle to storage bracket.

Return to Utility Source Side

1. Manually actuate switch to return manual operating handle to the UP position.
2. Remove manual operating handle from movable contact carrier arm. Return handle to storage bracket.

Voltage Checks

NOTE: Use the Digital Multimeter (DMM) LowZ low input impedance setting to collect accurate voltage measurements. LowZ eliminates the possibility of inaccurate ghost voltage readings, also known as phantom voltage or stray voltage readings. See DMM manufacturer’s literature for additional information.

Utility Voltage Checks



DANGER

Electrocution. High voltage is present at transfer switch and terminals. Contact with live terminals will result in death or serious injury.

(000129)

1. Turn ON the utility power supply to the transfer switch using the utility service disconnect circuit breaker.
2. With an accurate AC voltmeter, check for correct voltage. Measure across ATS terminal lugs N1 and N2; N1 to NEUTRAL and N2 to NEUTRAL.

Generator Voltage Checks



DANGER

Electrocution. High voltage is present at transfer switch and terminals. Contact with live terminals will result in death or serious injury.

(000129)

1. On the generator panel, select MANUAL. The generator should crank and start.
2. Let the generator stabilize and warm up at no-load for at least five minutes.
3. Set the generator's main circuit breaker (CB1) to ON or CLOSED.
4. With an accurate AC voltmeter and frequency meter, check the no-load, voltage and frequency. Measure across ATS terminal lugs E1 to E2; E1 to NEUTRAL and E2 to NEUTRAL.

Frequency	60–62 Hz
Terminals E1 to E2	240–246 VAC
Terminals E1 to NEUTRAL	120–123 VAC
Terminals E2 to NEUTRAL	120–123 VAC

5. When certain the generator supply voltage is correct and compatible with transfer switch ratings, turn OFF the generator supply to the transfer switch.
6. Set the generator main circuit breaker (CB1) to OFF or OPEN.
7. On the generator panel, select OFF to shut down the generator.

NOTE: Do NOT proceed until generator AC output voltage and frequency are correct and within stated limits. If the no-load voltage is correct but no-load frequency is incorrect, the engine governed speed may require adjustment. If no-load frequency is correct but voltage is not, the voltage regulator may require adjustment.

Generator Tests Under Load

1. Set the generator main circuit breaker to OFF or OPEN.
2. Set the utility service disconnect circuit breaker of the transfer switch to OFF or OPEN, and turn OFF or OPEN all load circuit breakers.
3. Manually actuate the transfer switch main contacts to the emergency (standby) position. See [Manual Operation](#).
4. To start the generator, select MANUAL. When engine starts, let it stabilize for a few minutes, and close lid (if applicable).

5. Set the generator main circuit breaker to ON or CLOSED. The generator now powers all LOAD circuits. Check generator operation under load as follows:
 - Turn on electrical loads to the full rated wattage/ampere capacity of the generator. **DO NOT OVERLOAD.**
 - With maximum rated load applied, check voltage and frequency across transfer switch terminals E1 and E2. Voltage should be greater than 230 VAC (240 VAC system); frequency should be greater than 59 Hz.
 - Verify the gas pressure remains within acceptable parameters (see the generator Installation manual).
 - Let the generator run under rated load for at least 30 minutes. With unit running, watch for unusual noises, vibration, or overheating that might indicate a problem.
6. When checkout under load is complete, set main circuit breaker of the generator to OFF or OPEN.
7. Let the generator run at no-load for several minutes. Then, shut down by selecting OFF.
8. Move the main switch contacts back to the utility position.

NOTE: See *Manual Operation*. Handle and operating lever of transfer switch should be in down position.

9. Set the utility service disconnect circuit breaker of the transfer switch to ON or CLOSED.
10. The system is now set for fully automatic operation.

Checking Automatic Operation

To check the system for proper automatic operation, proceed as follows:

1. Verify generator is OFF.
2. Set the utility service disconnect circuit breaker of the transfer switch to OFF or OPEN.
3. Verify switch is de-energized.
4. Install front cover of the transfer switch.
5. Set the utility service disconnect circuit breaker of the transfer switch to ON or CLOSED.
6. Set the generator main circuit breaker to ON.
7. On the generator panel, select AUTO. The system is now ready for automatic operation.
8. Set the utility service disconnect circuit breaker of the transfer switch to OFF or OPEN.

With the generator ready for automatic operation, the engine should crank and start when the utility source power is turned OFF after a five second delay (factory default setting). After starting, the transfer switch should connect load circuits to the standby side after a five second warm-up delay. Let the system operate through

its entire automatic sequence of operation.

NOTE: Timer durations may differ between generators and settings.

With the generator running and loads powered by generator AC output, set the utility service disconnect circuit breaker of the transfer switch to ON or CLOSED. The following should occur:

- After approximately 15 seconds, the switch should transfer loads back to the utility power source.
- Approximately one minute after re-transfer, the generator should shut down.

With the generator in the AUTOMATIC mode, the system is now set for fully automatic operation.

Installation Summary

1. Verify the installation has been properly performed as outlined by the manufacturer and that it meets all applicable laws and codes.
2. Verify proper operation of the system as outlined in the appropriate installation and owner's manuals.
3. Educate the end-user on the proper operation, maintenance and service call procedures.

NOTE: The Utility Power Circuit Breaker in the transfer switch must be turned OFF to simulate a utility outage. Shutting off the main disconnect in a subpanel connected to the transfer switch will NOT simulate an outage.

Shutting Generator Down While Under Load or During a Utility Outage

⚠ DANGER

Automatic start-up. Disconnect utility power and render unit inoperable before working on unit. Failure to do so will result in death or serious injury.

(000191)

IMPORTANT NOTE: To avoid equipment damage, follow these steps, in order, during utility outages. Shutdowns may be required during utility outages to perform routine maintenance or to conserve fuel.

To turn generator OFF:

1. Set utility MLCB to OFF (OPEN).
2. Set generator MLCB (generator disconnect) to OFF (OPEN).
3. Allow generator to run for cool-down for approximately one minute.
4. Set generator to OFF at the controller.
5. Remove 7.5A fuse from controller.

To turn generator back ON:

1. Install 7.5A fuse in controller.

2. Verify generator MLCB (generator disconnect) is OFF (OPEN).
3. Set generator to AUTO mode at the controller.
4. Generator will start and run. Allow generator to run and warm up for a few minutes.
5. Set generator MLCB (generator disconnect) to ON (CLOSED).
6. Set utility MLCB to ON (CLOSED).

The system now operates in automatic mode.

Preparing for Maintenance

⚠ DANGER

Automatic start-up. Disconnect utility power and render unit inoperable before working on unit. Failure to do so will result in death or serious injury.

(000191)

To turn the generator OFF:

1. At the controller, turn the generator OFF.
2. Set the MLCB (generator disconnect) on the generator to OFF (OPEN).
3. Turn the main utility disconnect OFF (OPEN).
4. Remove 7.5A fuse from the controller.
5. Follow maintenance procedure(s).

To turn the generator back ON:

1. Turn the main utility disconnect ON (CLOSED).
1. Install 7.5A fuse in controller.
2. Put the generator into AUTO mode.
3. Set the MLCB (generator disconnect) on the generator to ON (CLOSED).

The system is now in automatic mode.

Testing The SACM

A “Test” pushbutton is provided on top of the SACM to test the operation of the load shed functions. The test pushbutton will work when the ATS is in the utility or the generator position.

1. Turn on the utility supply to the ATS.
2. Verify managed loads are powered and all LEDs illuminate on SACM.
3. Press the TEST button on the SACM.
4. Verify that all of the connected loads to be “shed” become disabled.
5. After five minutes verify A/C 1 is energized and Status LED A/C 1 is ON.
6. After another 15 seconds, verify A/C 2 is energized and Status LED A/C 2 is ON.
7. After another 15 seconds, verify Load A/C 3 is energized and Status LED Load A/C 3 is ON.

8. After another 15 seconds, verify A/C 4 is energized and Status LED A/C 4 is ON.

SACM Fuse Service

See [Figure 4-2](#). A fuse removal and installation tool (A) is included in the SACM housing.

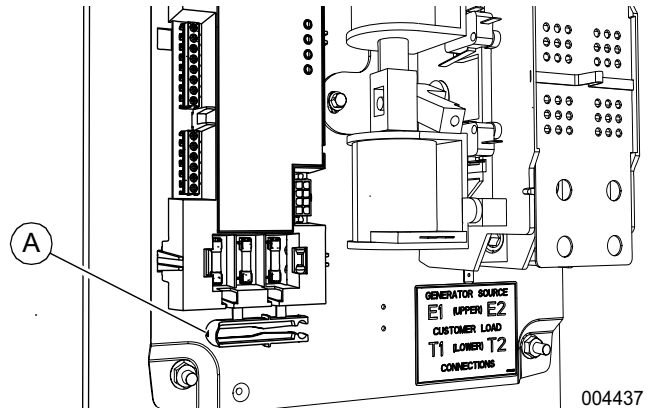


Figure 4-2. Fuse Removal and Installation Tool

If a fuse requires replacement, snap the tool free with an appropriate tool such as diagonal pliers, and use it to replace the fuse. The tool can be stored in the SACM housing retainer directly above the fuses, with the large thumb tab facing out.

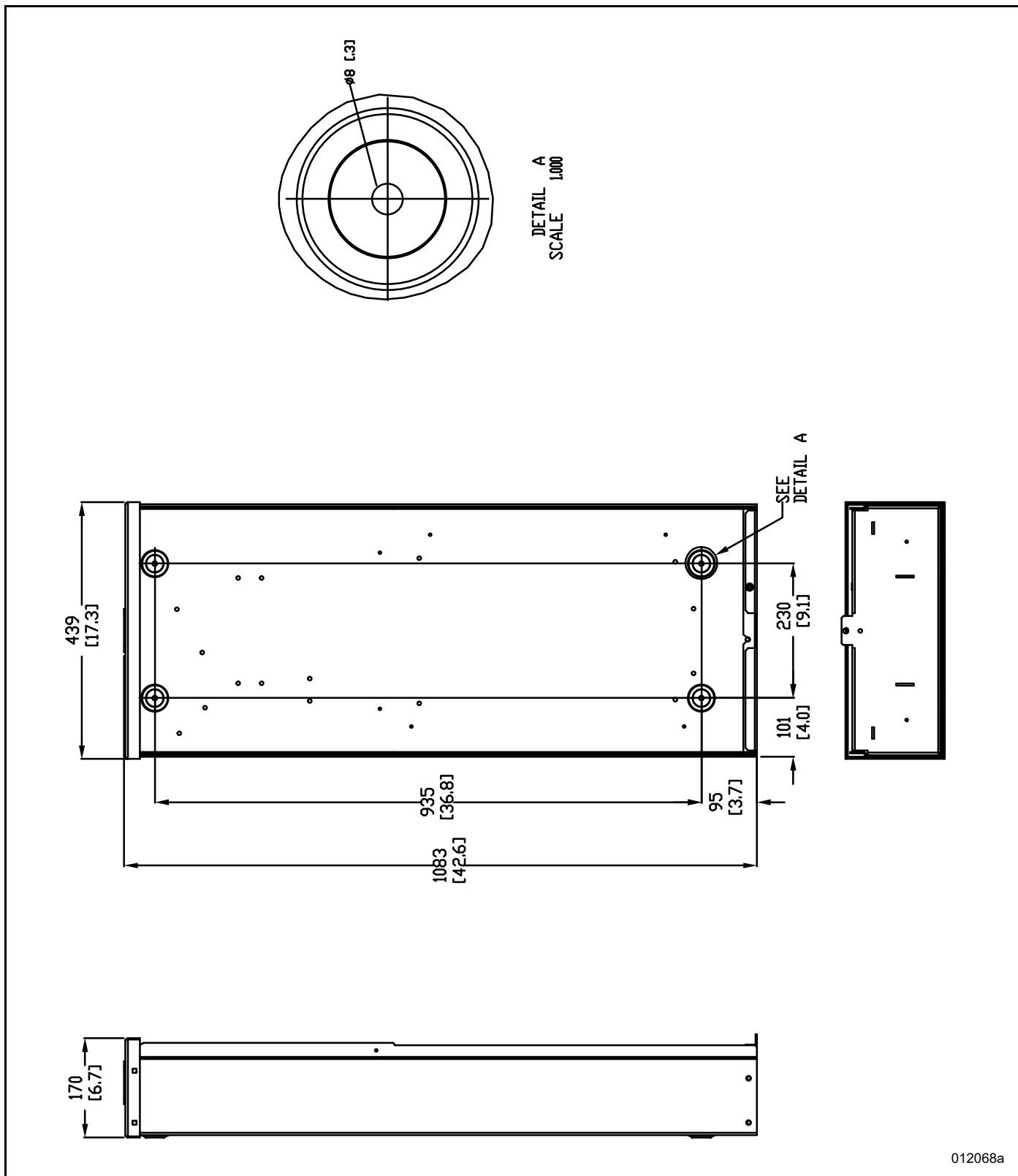
Use only Generac replacement fuses—part number 10000005117, rated 240 VAC, 6.3 Amps, 10,000 AIC.

Alternative fuses are Littelfuse® 021606.3MXP or Optifuse® FCD-6.3.

Section 5: Drawings and Diagrams

Installation Drawings—150-200A SER Meter Main

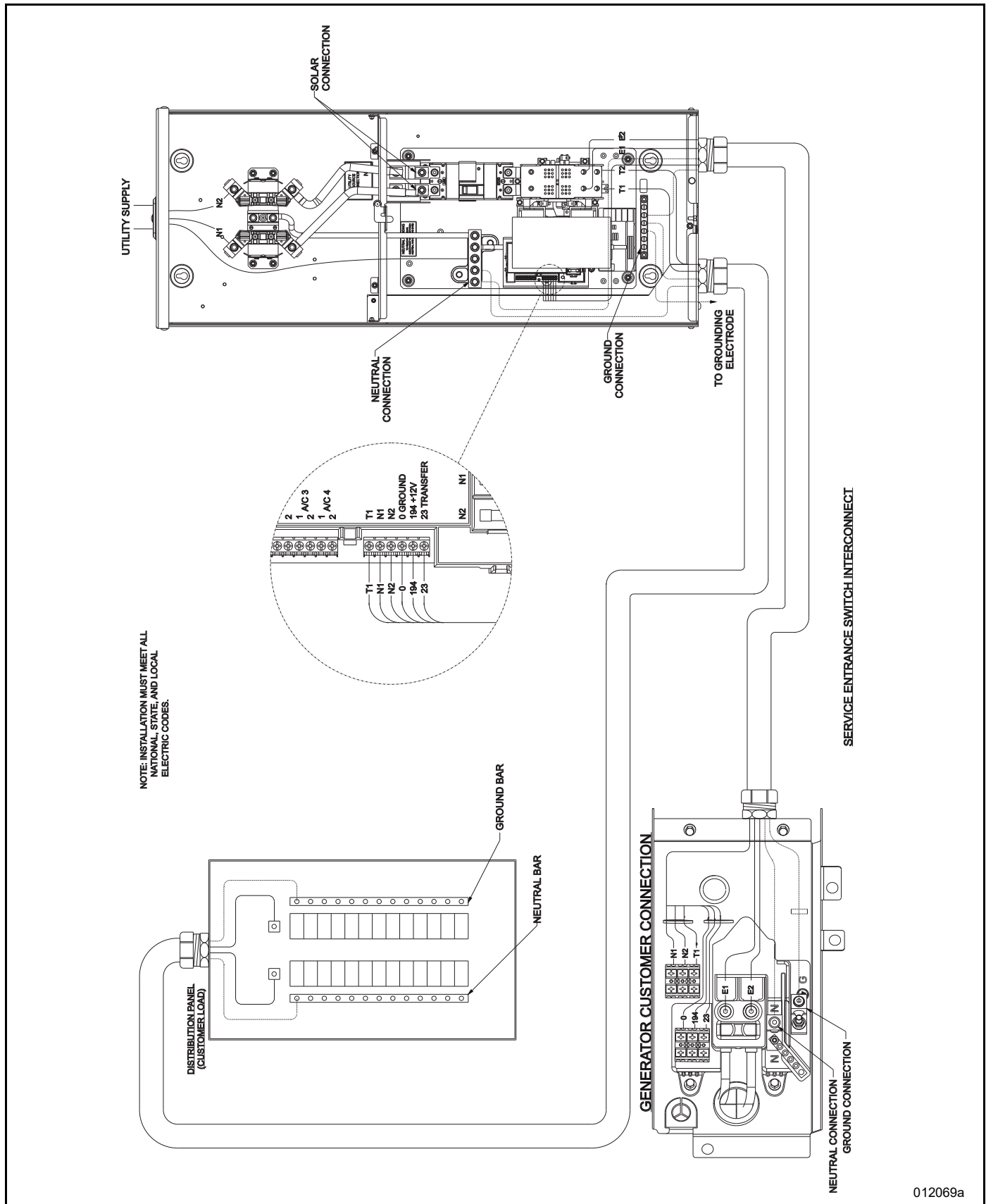
No. A0000258227-C



012068a

Interconnection Drawings—Liquid-Cooled Generator

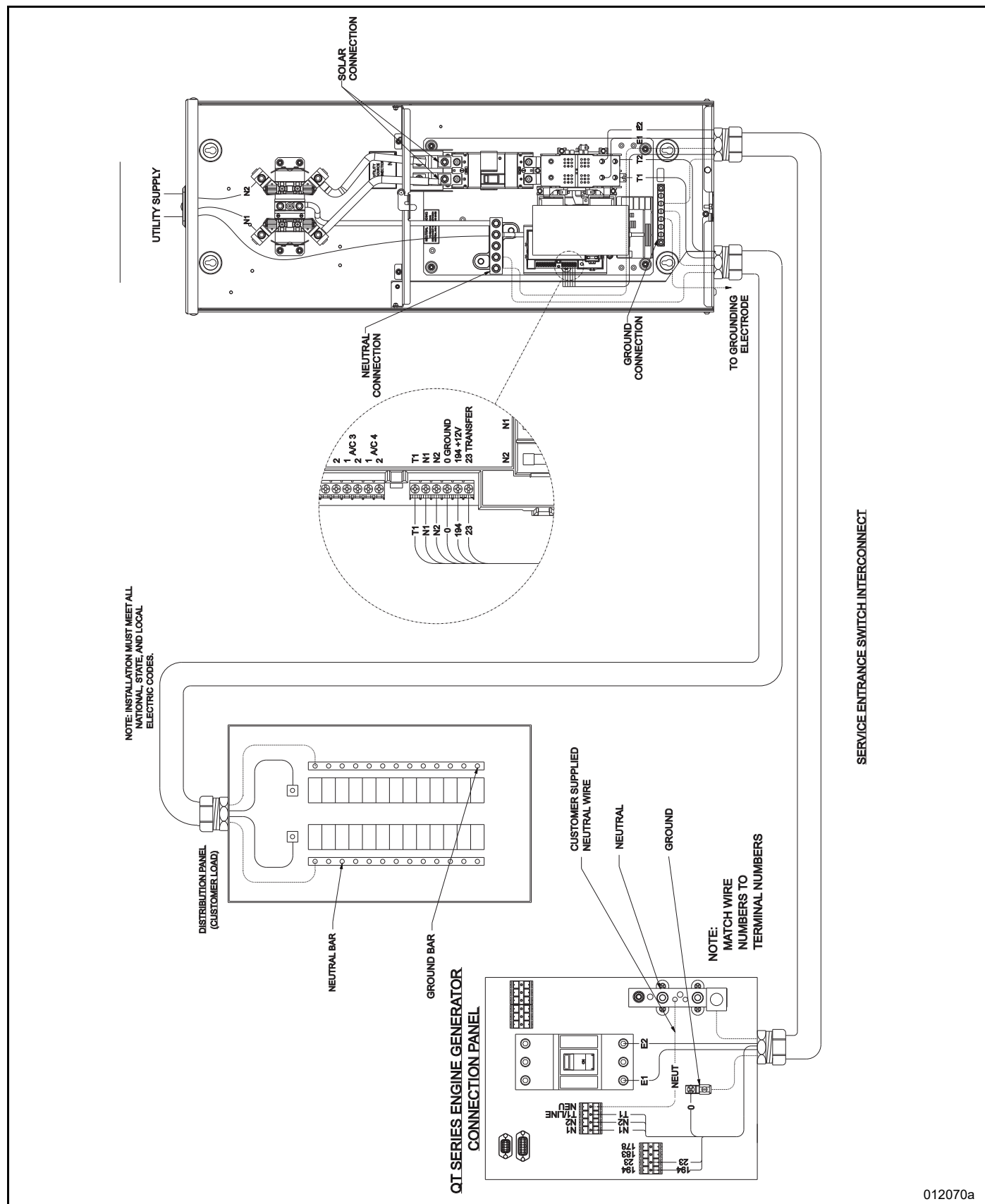
No. A0000258228-C (Part 1 of 2)



012069a

Interconnection Drawings—Liquid-Cooled Generator

No. A0000258228-C (Part 2 of 2)

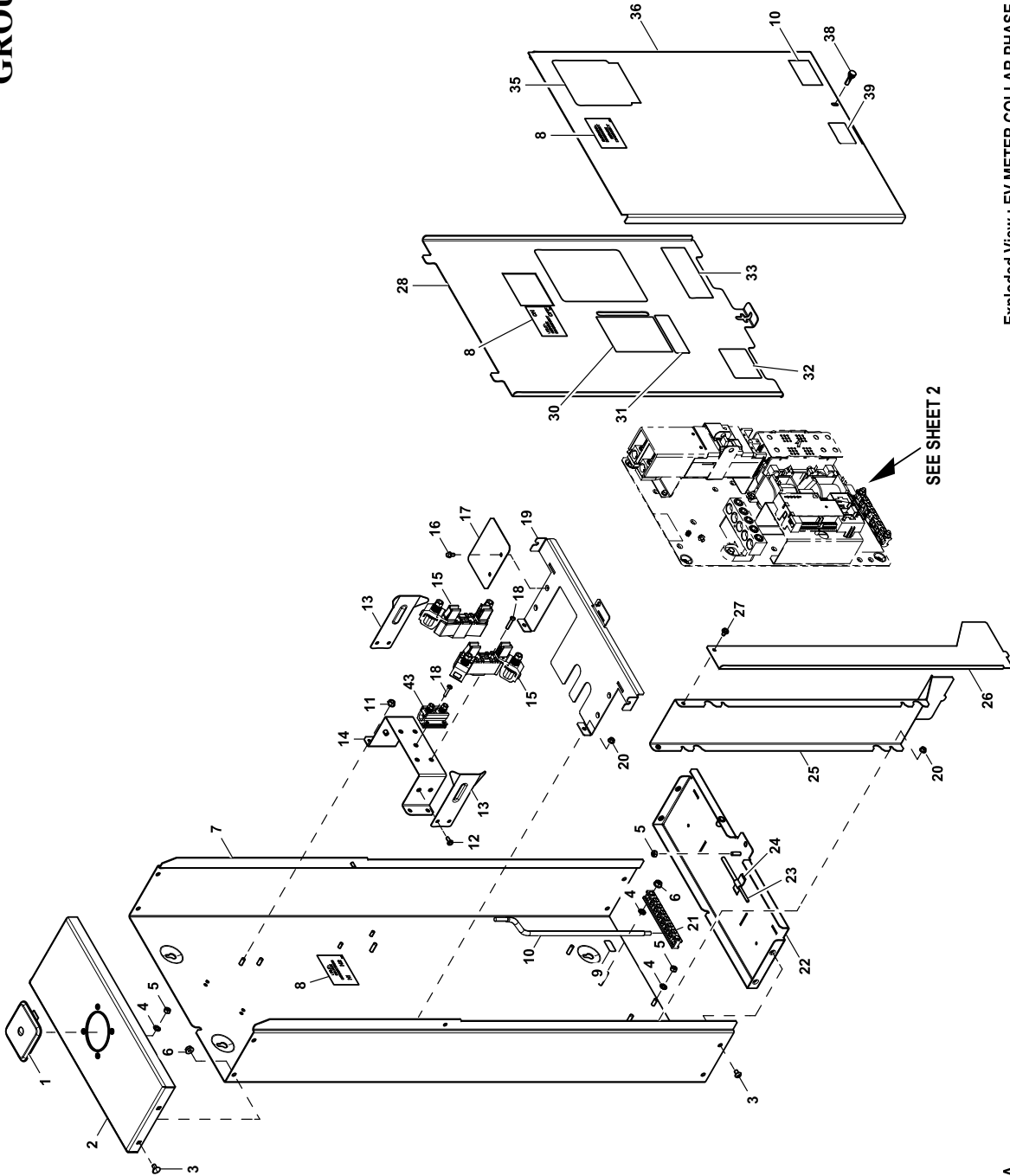


012070a

Exploded View of RXUW Model

No. A0001293321-A (Part 1 of 2)

GROUP



Exploded View - EV METER COLLAR PHASE 1
Drawing No. : A0001293321

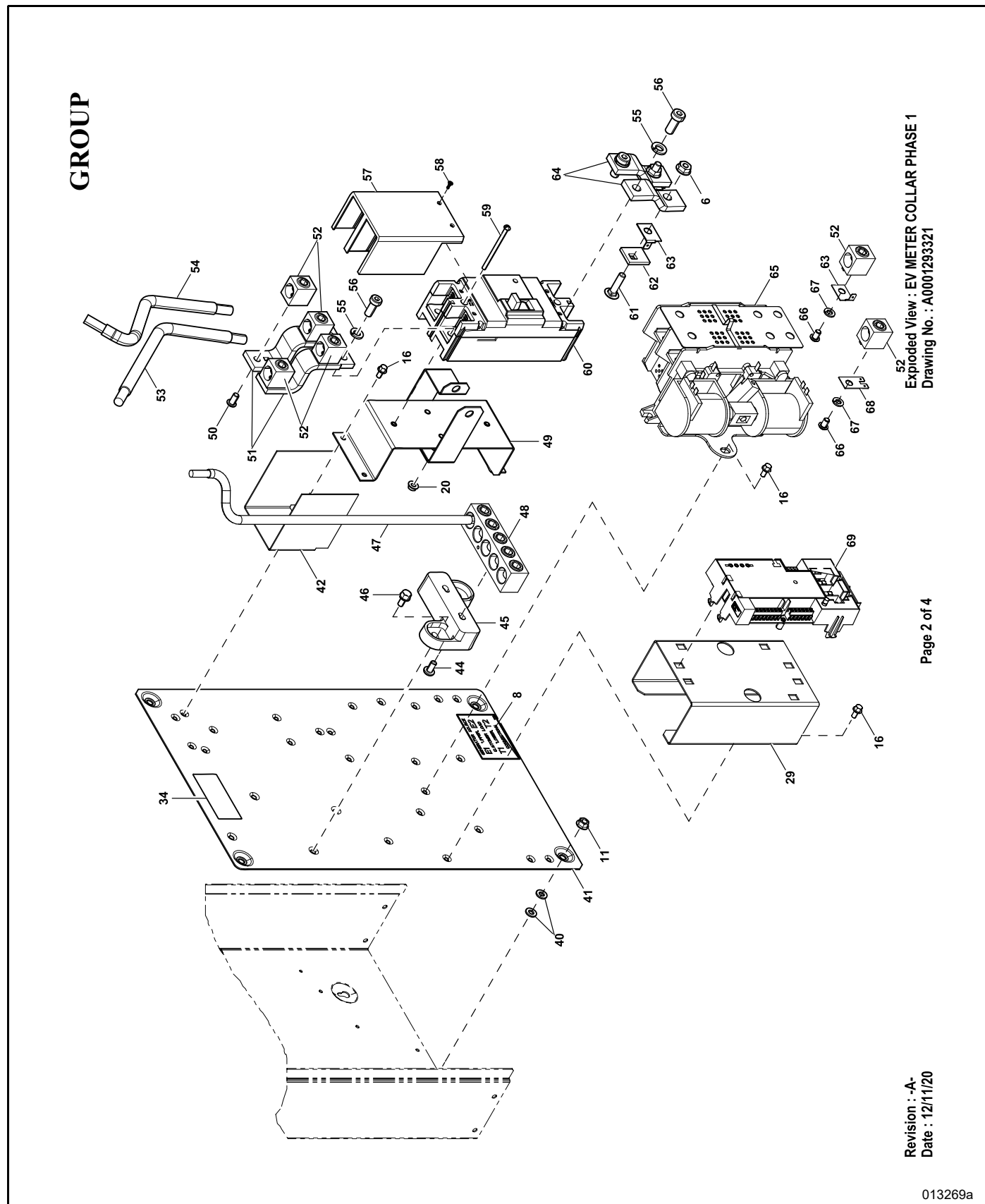
Page 1 of 4

Revision : -A-
Date : 12/11/20

013268a

Exploded View of RXUW Model

No. A0001293321-A (Part 2 of 2)



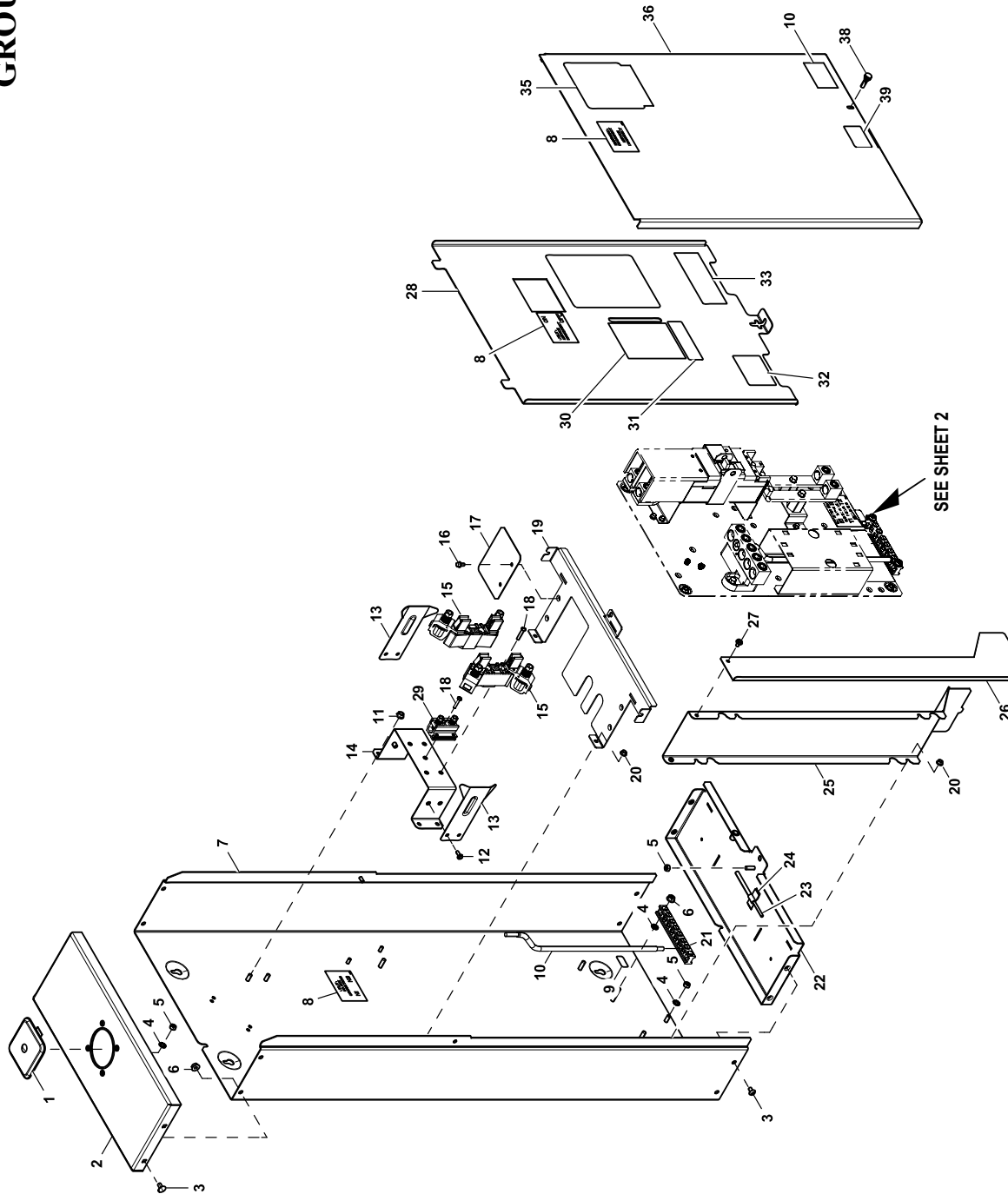
Item	Part Number	QTY.	Description
1	A0000271140	1	COVER CONDUIT HUB 1-2.5
2	A0000210830	1	AL14 ENCLOSURE 200A SE METER XFRSW TOP
3	A0001533396	4	BOLT CARR 1/4-20 X 1/2
4	G026850	4	WASHER LOCK EXT 1/4 STL
5	G049813	3	NUT HEX M6-1.0 G8 CLEAR ZINC
6	0L2911	8	NUT HEX FLANGE WHIZ 1/4-20
7	A0000210841	1	AL14 ENCLOSURE 200A SE METER XFRSW BACK
8	0G9651	4	DECALS, SERVICE ENTRANCE
9	067210A	1	DECAL GROUND LUG
10	A0001286537	1	WIRE NEUTRAL TO GROUND
11	0E8388	16	NUT HEX FL WHIZ M6-1.0
12	G024413	4	SCREW HHTT #10-32 X 1/2 BP
13	A0000429540	2	METER BRIDGE
14	A0000175535	2	GS0R BRKT 200A METER JAW MOUNT
15	A0000198800	2	METER JAW BLOCK 200A
16	G074908	12	SCREW HHTT M5-0.8 X 10 BP
17	A0000479917	1	GS0R GUTTER CAP
18	G022390	4	SCREW RHM #10-32 X 1
19	A0000210866	1	AL14 DIVISION PLATE 200A XFRSW
20	0E6423	10	NUT HEX FL WHIZ M5-0.8
21	0J8202	1	LUG SLDLSS 2/0-#14 AL9CU
22	A0000210832	1	AL14 ENCLOSURE 200A SE METER XFRSW BOT
23	0E6155	1	PIN ARM EXTENDER
24	0K8254	1	U-CLIP ADHESIVE
25	A0000190878	1	GS0R XFRSW RACEWAY
26	A0000190884	1	GS0R XFRSW RACEWAY COVER
27	G026902	1	SCREW HHTT #8-32 X 1/4 CZ
28	A0000210878	1	AL14 COVER INSIDE METER XFRSW
29	A0000375128	1	GS0R RISER SACM
30	10000025333	1	DECAL WARN MANUAL OPER HANDLE EN/FR
31	A0000382084	1	DECAL, OUT-OF-PHASE XFER
32	0G3274	1	DECAL LIVE CIRCUIT ENG/FRN/SPN
33	10000027740	1	DECAL TERMINAL SHOCK HZD EN/FR
34	0K1018	1	DECAL, NEUTRAL CONNECTION
35	0J5765	1	DECAL SERVICE ENTRANCE WARNING
36	A0000210887	1	AL14 COVER EXT METER XFRSW
37	10000008602	1	DECAL WCR NEC COMPLIANCE
38	0L6700	1	SCREW THUMB 1/4-20 X 3/4 KNURL
39	10000037322	1	DECAL PROP 65 EN/SP/FR
40	G049811	8	WASHER FLAT M6

41	A0000190883	2	GS0R SUBPLATE 200A METER
42	A0001531319	1	GS0R BRACKET FINGERSAFE
43	A0000268221	1	METER JAW 5TH TERM LUG
44	0E2839	2	SCREW PPHM 1/4-28 X 1/2
45	0C3623	1	NEUTRAL BLOCK INSL 100-400A
46	G090388	2	SCREW HHTT M6-1.0 X 12 ZINC
47	A0001617741	1	WIRE 5TH JAW KIT NEUTRAL
48	0K0102	1	LUG SLDLSS 350-#6X1/4-28X.312
49	10000026246	1	GS0R BREAKER BRACKET 200A
50	0G5479	4	SCREW BHSC 1/4-20 X 1/2
51	A0000193837	2	BUS BAR 200A N1/N2
52	0E3375	8	LUG SLDLSS 250-#6 AL/CU
53	A0000892419	1	WIRE BLACK N1 3/0
54	A0000892416	1	WIRE BLACK N2 3/0
55	G022129	4	WASHER LOCK SPRING 5/16 ZC
56	G049897	4	SCREW SHC LOW M8-1.25 X 20 G8
57	0K8414	1	CB TERMINAL COVER 2 POLE 240V - REVISION A ONLY
58	0K8628	2	SCREW PFHM 4-24 X 5/16 TCS
59	0K0973	2	SCREW RHM #8-32 X 2-1/2
60	0K0133	1	CB 200A 2POLE 240V 225AF
61	G024334	2	BOLT CARR 1/4-20 X 1
62	0G4413	2	SPACER 200 AMP TRANSFER SWITCH
63	0E6033	4	90 DEGREE DN SPADE CONNECTOR
64	0K0130	2	BUSBAR 200A TRANSFER SW N1,N2
65	0L2911	1	XFRSW HSB 200A 2P 250V
66	0F1252	4	SCREW BHSC 1/4-20 X 3/8
67	G022097	8	WASHER LOCK SPRING 1/4 ZC
68	0E6034	1	STRAIGHT SPADE CONNECTOR
69	10000004183	1	ASSY SMART AC MODULE

Exploded View of RBU Model

No. A0001794481-A (Part 1 of 2)

GROUP



Exploded View : EV METER COLLAR BUILDERS
Drawing No. : A0001794481

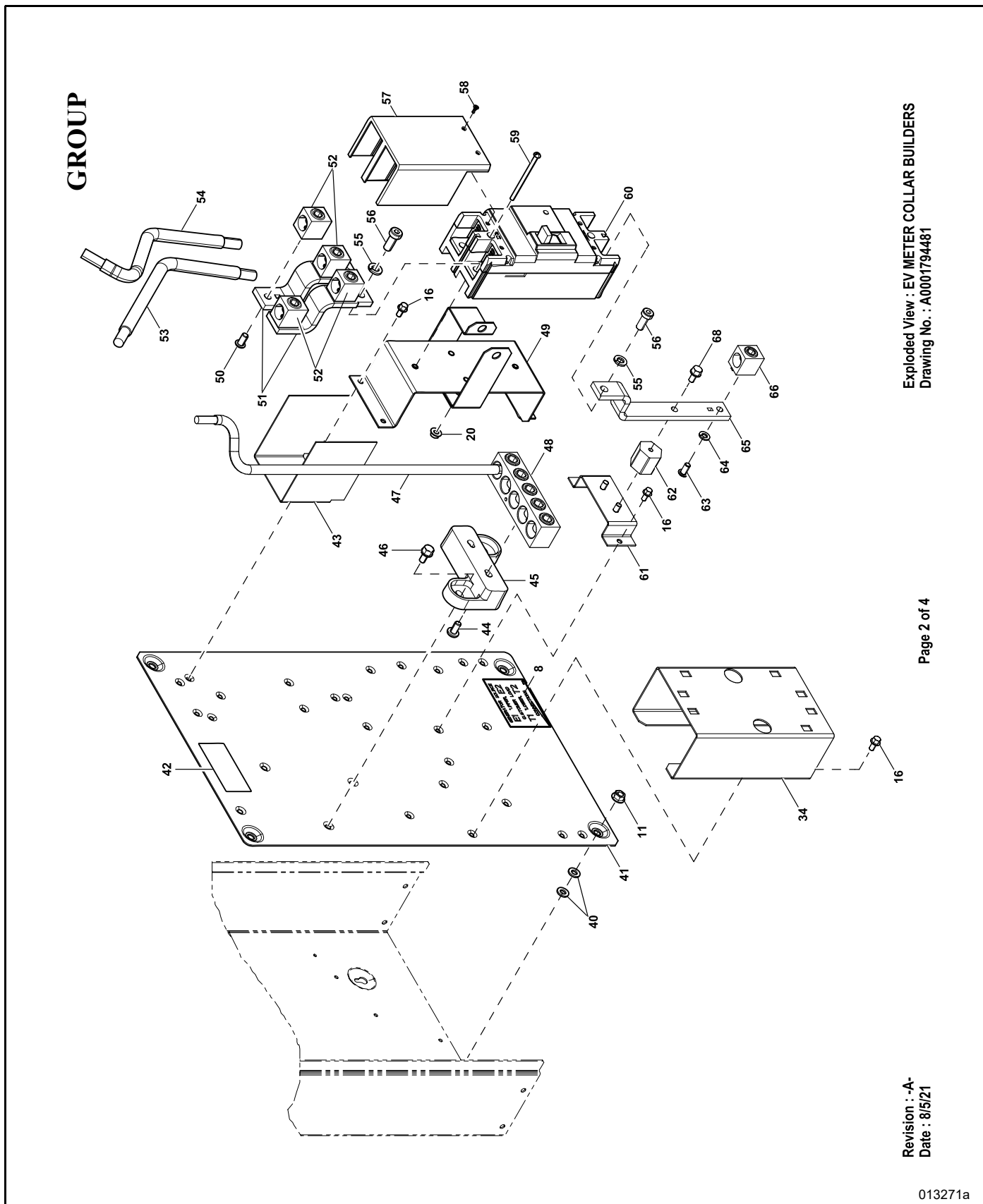
Page 1 of 4

Revision : -A-
Date : 8/5/21

013270a

Exploded View of RBU Model

No. A0001794481-A (Part 2 of 2)



Exploded View : EV METER COLLAR BUILDERS
Drawing No. : A0001794481

Page 2 of 4

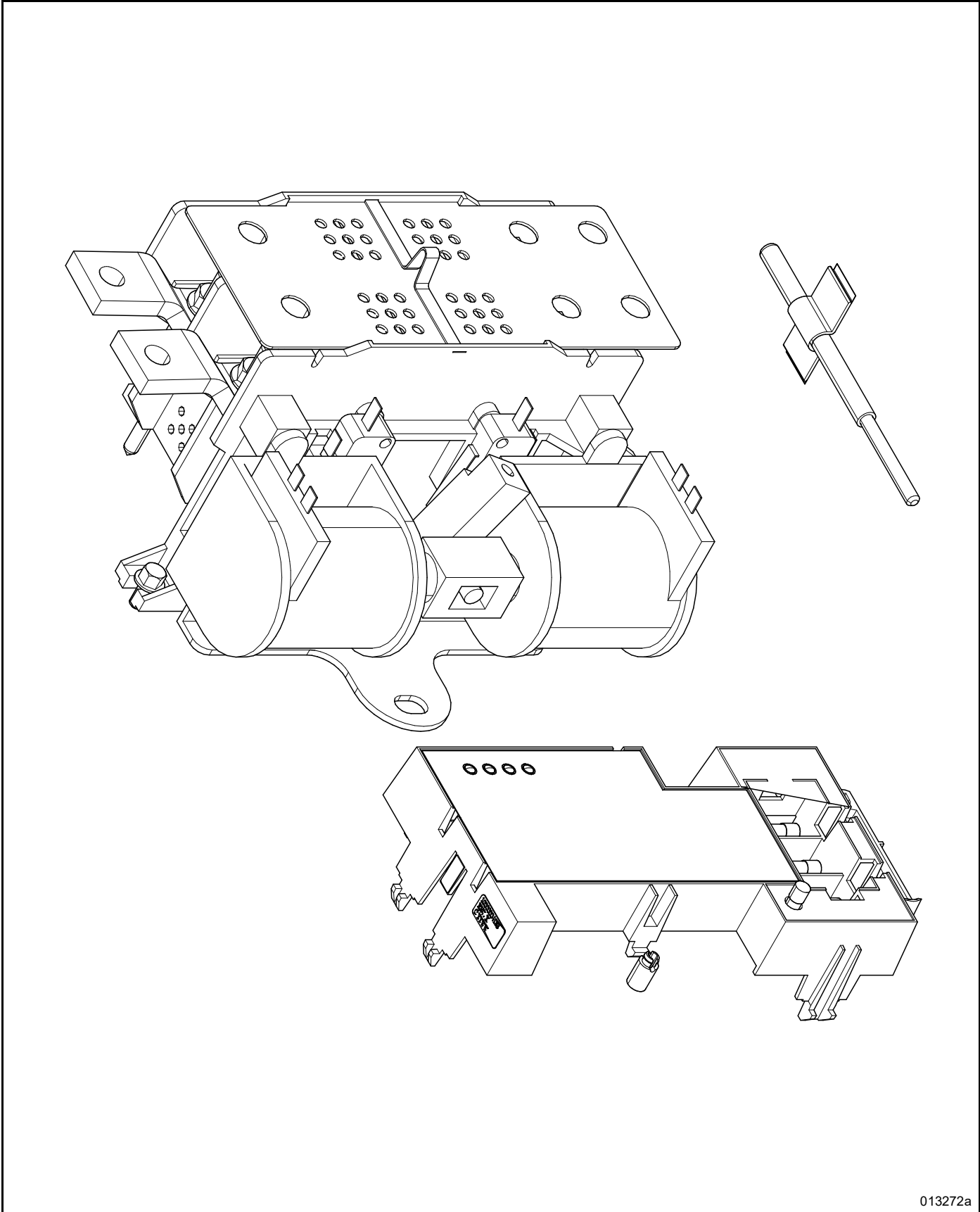
Revision : -A-
Date : 8/5/21

013271a

Item	Part Number	QTY.	Description
1	A0000271140	1	COVER CONDUIT HUB 1-2.5
2	A0000210830	1	AL14 ENCLOSURE 200A SE METER XFRSW TOP
3	A0001533396	4	BOLT CARR 1/4-20 X 1/2
4	G026850	4	WASHER LOCK EXT 1/4 STL
5	G049813	3	NUT HEX M6-1.0 G8 CLEAR ZINC
6	0L2911	4	NUT HEX FLANGE WHIZ 1/4-20
7	A0000210841	1	AL14 ENCLOSURE 200A SE METER XFRSW BACK
8	0G9651	4	DECALS, SERVICE ENTRANCE
9	067210A	1	DECAL GROUND LUG
10	A0001286537	1	WIRE NEUTRAL TO GROUND
11	0E8388	16	NUT HEX FL WHIZ M6-1.0
12	G024413	4	SCREW HHTT #10-32 X 1/2 BP
13	A0000429540	2	METER BRIDGE
14	A0000175535	2	GS0R BRKT 200A METER JAW MOUNT
15	A0000198800	2	METER JAW BLOCK 200A
16	G074908	11	SCREW HHTT M5-0.8 X 10 BP
17	A0000479917	1	GS0R GUTTER CAP
18	G022390	4	SCREW RHM #10-32 X 1
19	A0000210866	1	AL14 DIVISION PLATE 200A XFRSW
20	0E6423	10	NUT HEX FL WHIZ M5-0.8
21	0J8202	1	LUG SLDLSS 2/0-#14 AL9CU
22	A0000210832	1	AL14 ENCLOSURE 200A SE METER XFRSW BOT
23	0E6155	1	PIN ARM EXTENDER
24	0K8254	1	U-CLIP ADHESIVE
25	A0000190878	1	GS0R XFRSW RACEWAY
26	A0000190884	1	GS0R XFRSW RACEWAY COVER
27	G026902	1	SCREW HHTT #8-32 X 1/4 CZ
28	A0000210878	1	AL14 COVER INSIDE METER XFRSW
29	A0000268221	1	METER JAW 5TH TERM LUG
30	10000025333	1	DECAL WARN MANUAL OPER HANDLE EN/FR
31	A0000382084	1	DECAL, OUT-OF-PHASE XFER
32	0G3274	1	DECAL LIVE CIRCUIT ENG/FRN/SPN
33	10000027740	1	DECAL TERMINAL SHOCK HZD EN/FR
34	A0000375128	1	GS0R RISER SACM
35	0J5765	1	DECAL SERVICE ENTRANCE WARNING
36	A0000210887	1	AL14 COVER EXT METER XFRSW
37	10000008602	1	DECAL WCR NEC COMPLIANCE
38	0L6700	1	SCREW THUMB 1/4-20 X 3/4 KNURL
39	10000037322	1	DECAL PROP 65 EN/SP/FR
40	G049811	8	WASHER FLAT M6

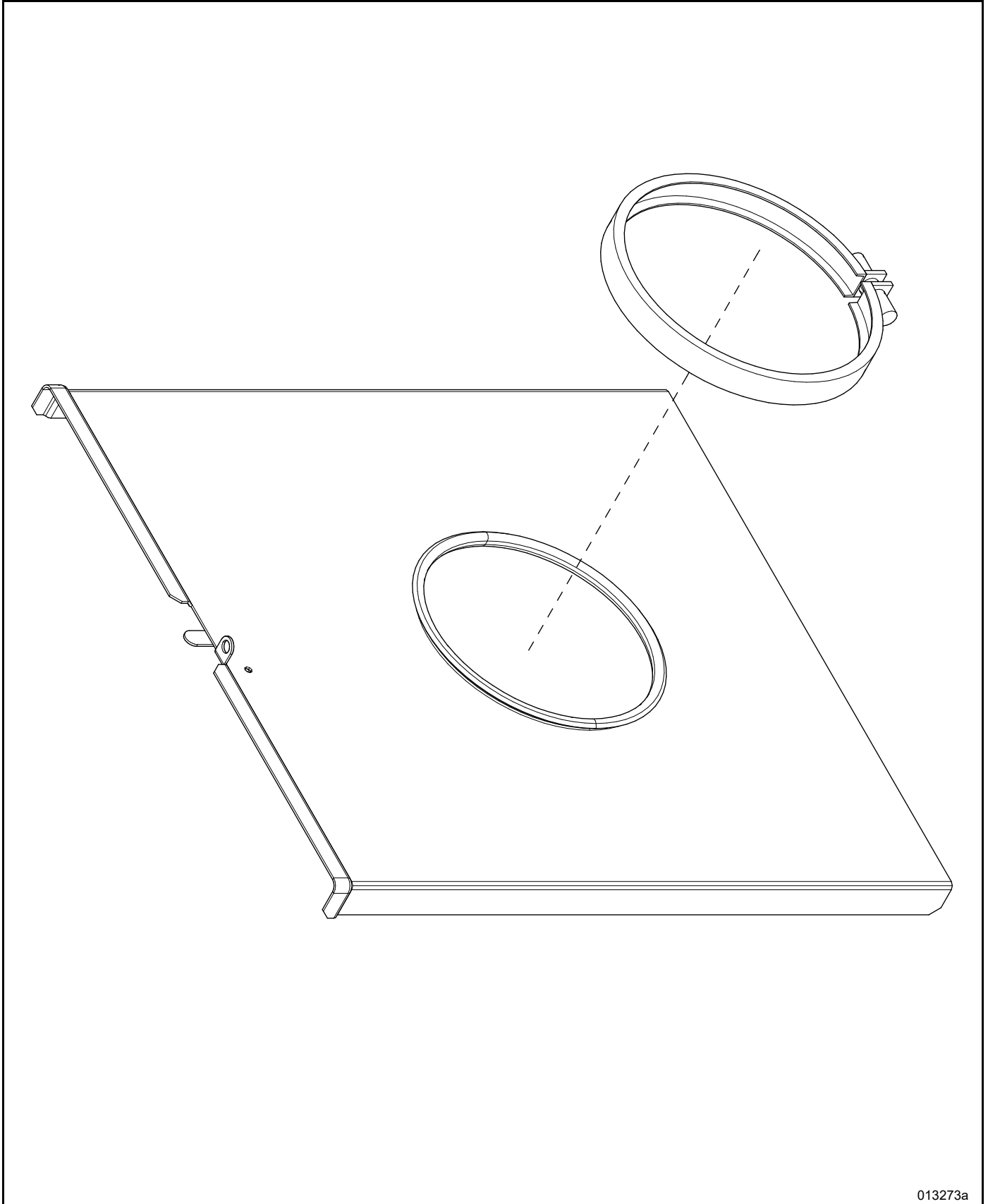
41	A0000190883	2	GS0R SUBPLATE 200A METER
42	OK1018	1	DECAL, NEUTRAL CONNECTION
43	A0001531319	1	GS0R BRACKET FINGERSAFE
44	0E2839	2	SCREW PPHM 1/4-28 X 1/2
45	0C3623	1	NEUTRAL BLOCK INSL 100-400A
46	G090388	2	SCREW HHTT M6-1.0 X 12 ZINC
47	A0001617741	1	WIRE 5TH JAW KIT NEUTRAL
48	OK0102	1	LUG SLDLSS 350-#6X1/4-28X.312
49	10000026246	1	GS0R BREAKER BRACKET 200A
50	0G5479	4	SCREW BHSC 1/4-20 X 1/2
51	A0000193837	2	BUS BAR 200A N1/N2
52	0E3375	6	LUG SLDLSS 250-#6 AL/CU
53	A0000892419	1	WIRE BLACK N1 3/0
54	A0000892416	1	WIRE BLACK N2 3/0
55	G022129	6	WASHER LOCK SPRING 5/16 ZC
56	G049897	6	SCREW SHC LOW M8-1.25 X 20 G8
57	OK8414	1	CB TERMINAL COVER 2 POLE 240V - REVISION A ONLY
58	OK8628	2	SCREW PFHM 4-24 X 5/16 TCS
59	OK0973	2	SCREW RHM #8-32 X 2-1/2
60	OK0133	1	CB 200A 2POLE 240V 225AF
61	A0000216312	1	GS0R BRKT STANDOFF
62	0L1415	2	INSULATOR STANDOFF
63	0G5479	6	SCREW BHSC 1/4-20 X 1/2
64	G022097	6	WASHER LOCK SPRING 1/4 ZC
65	A0000213830	2	BUS BAR 200A T1/T2
66	0E3375	6	LUG SLDLSS 250-#6 AL/CU
67	G022097	6	WASHER LOCK SPRING 1/4 ZC
68	G090388	4	SCREW HHTT M6-1.0 X 12 ZINC

Accessory KIT 200A XFRSW W SACM G0074000



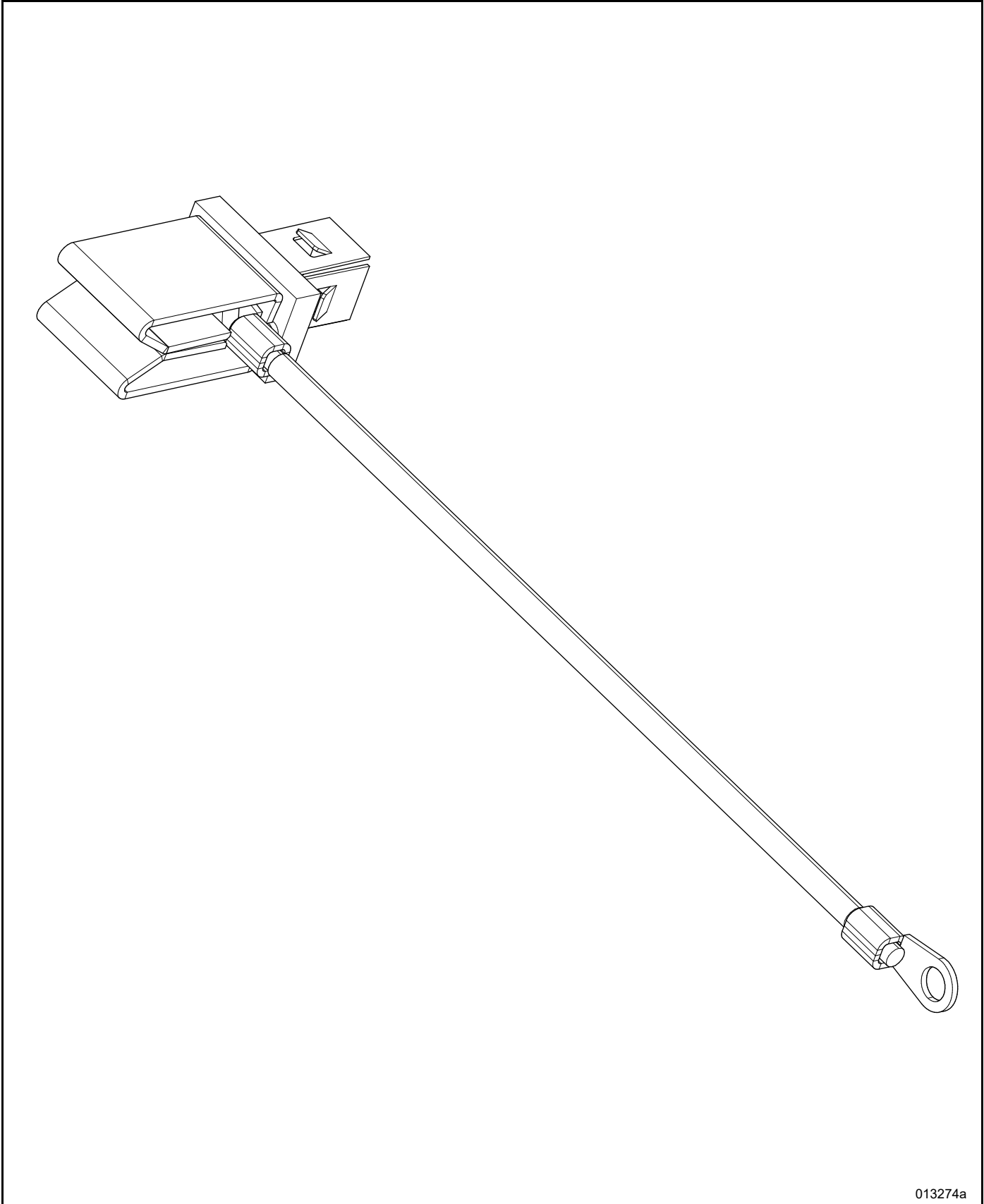
013272a

Accessory Kit ATS Ring Cover G0074010



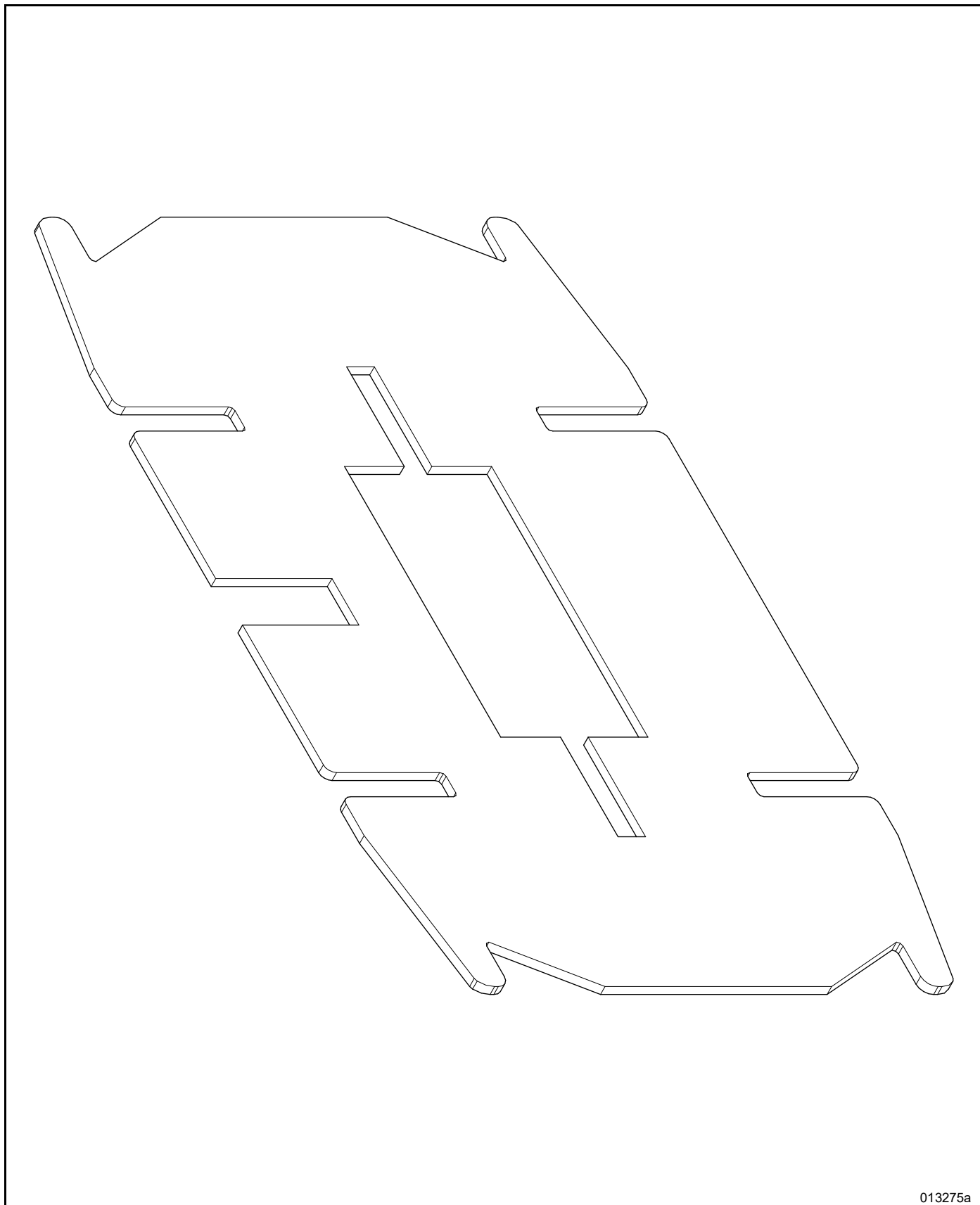
013273a

Accessory Kit Meter Jaw 5th Terminal G0074020



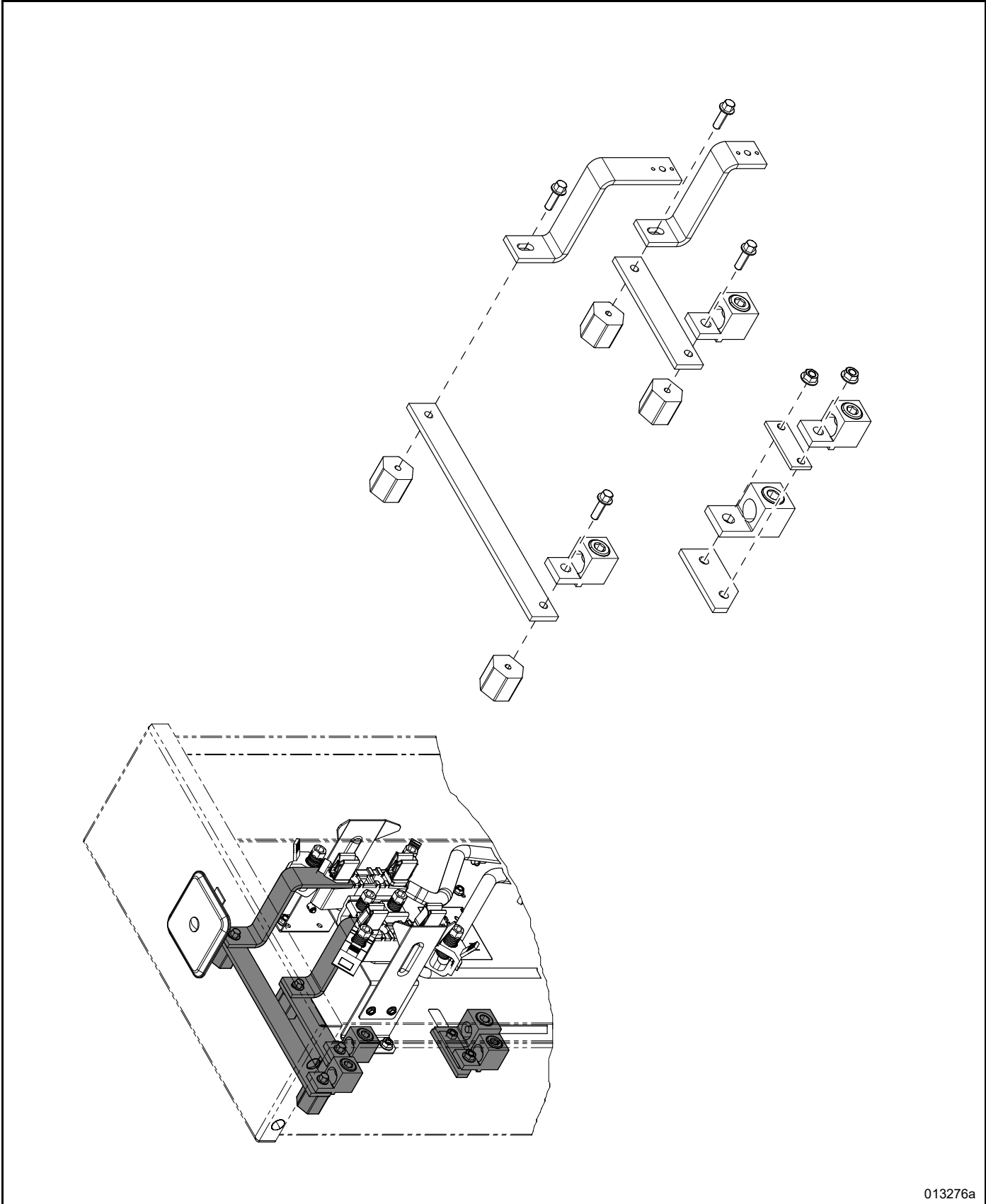
013274a

Accessory Kit Flash Shield G0074040



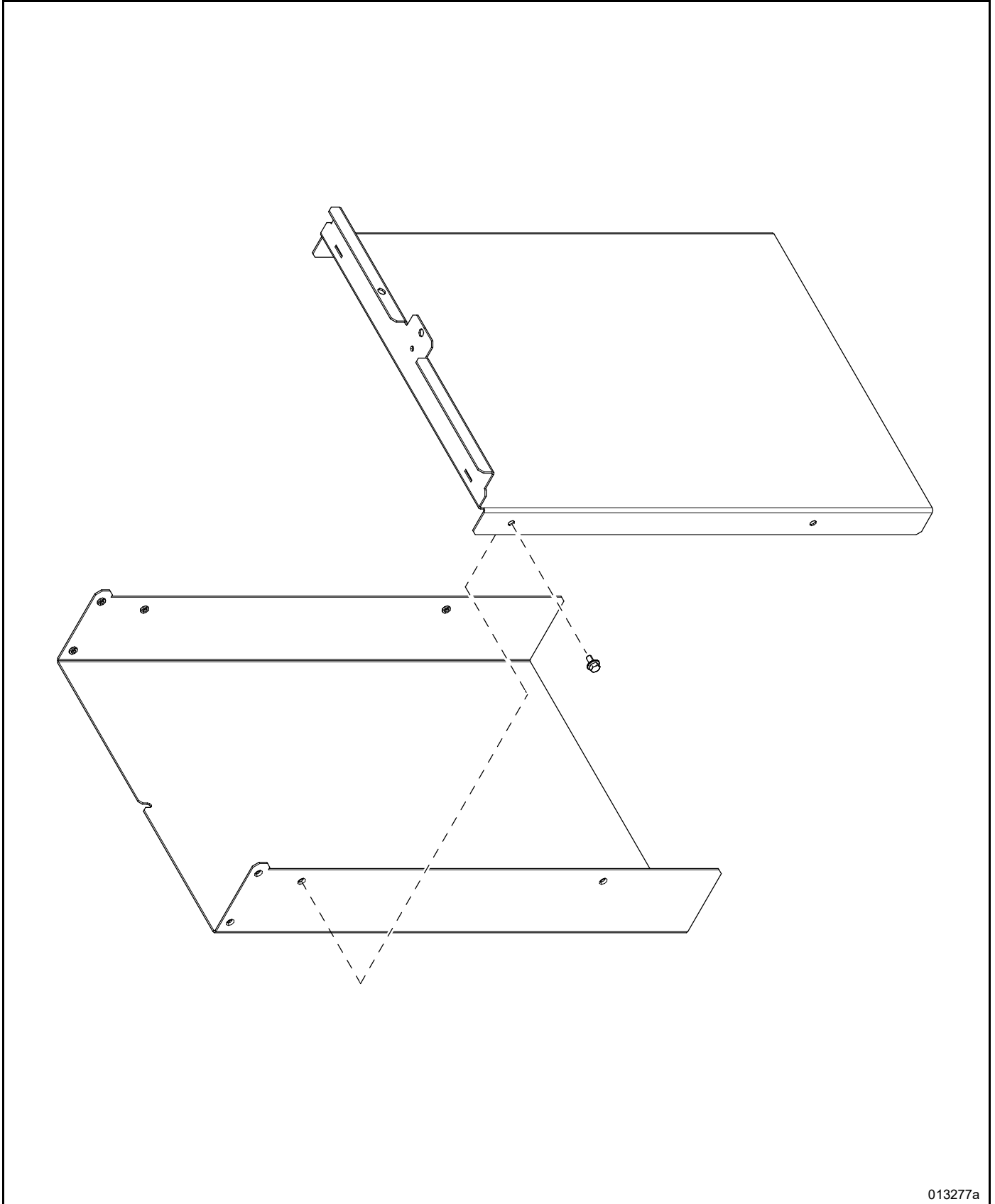
013275a

Accessory Kit Side Bus G0074050



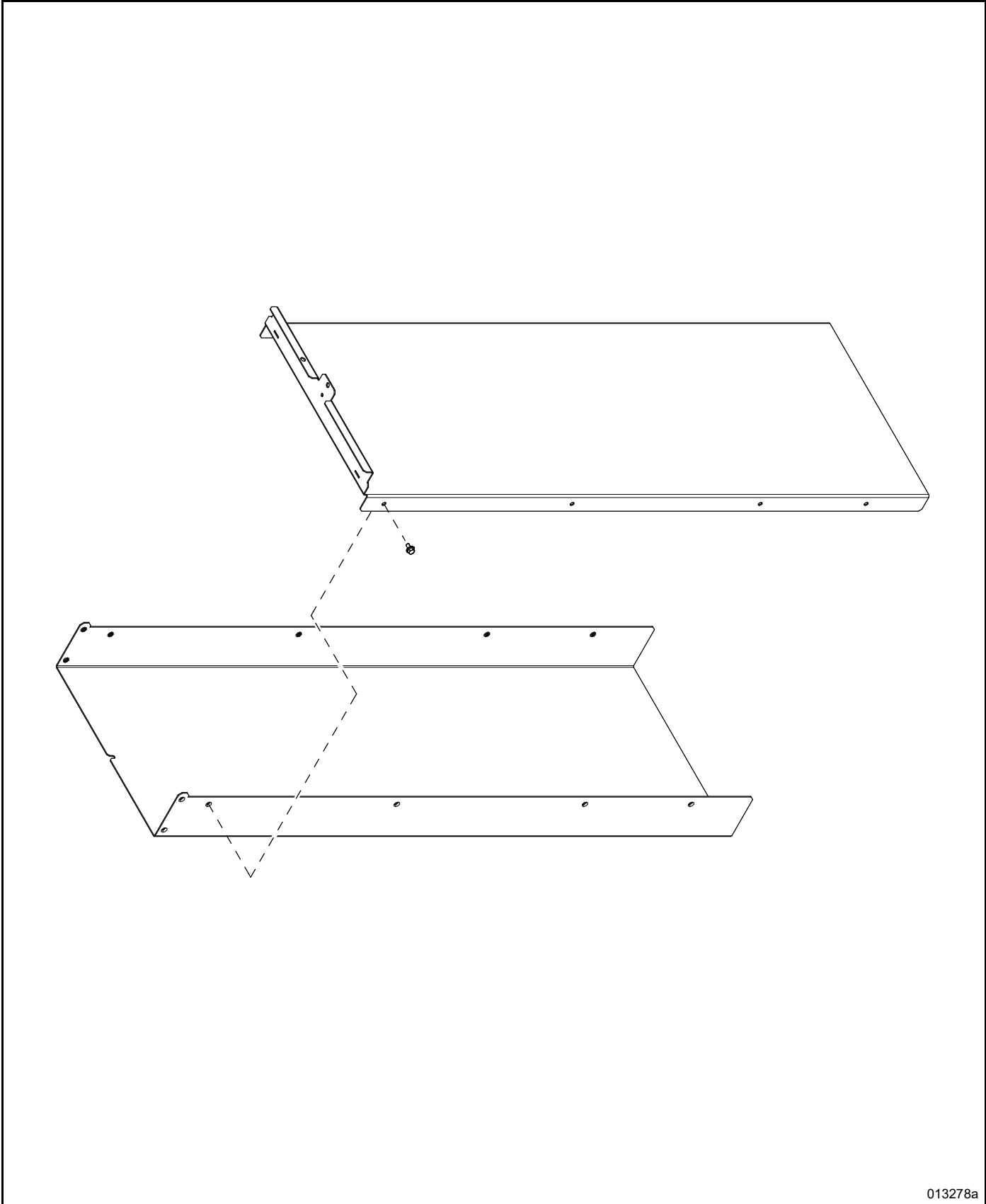
013276a

Accessory Kit Pedestal 24 in. Extension G0074060



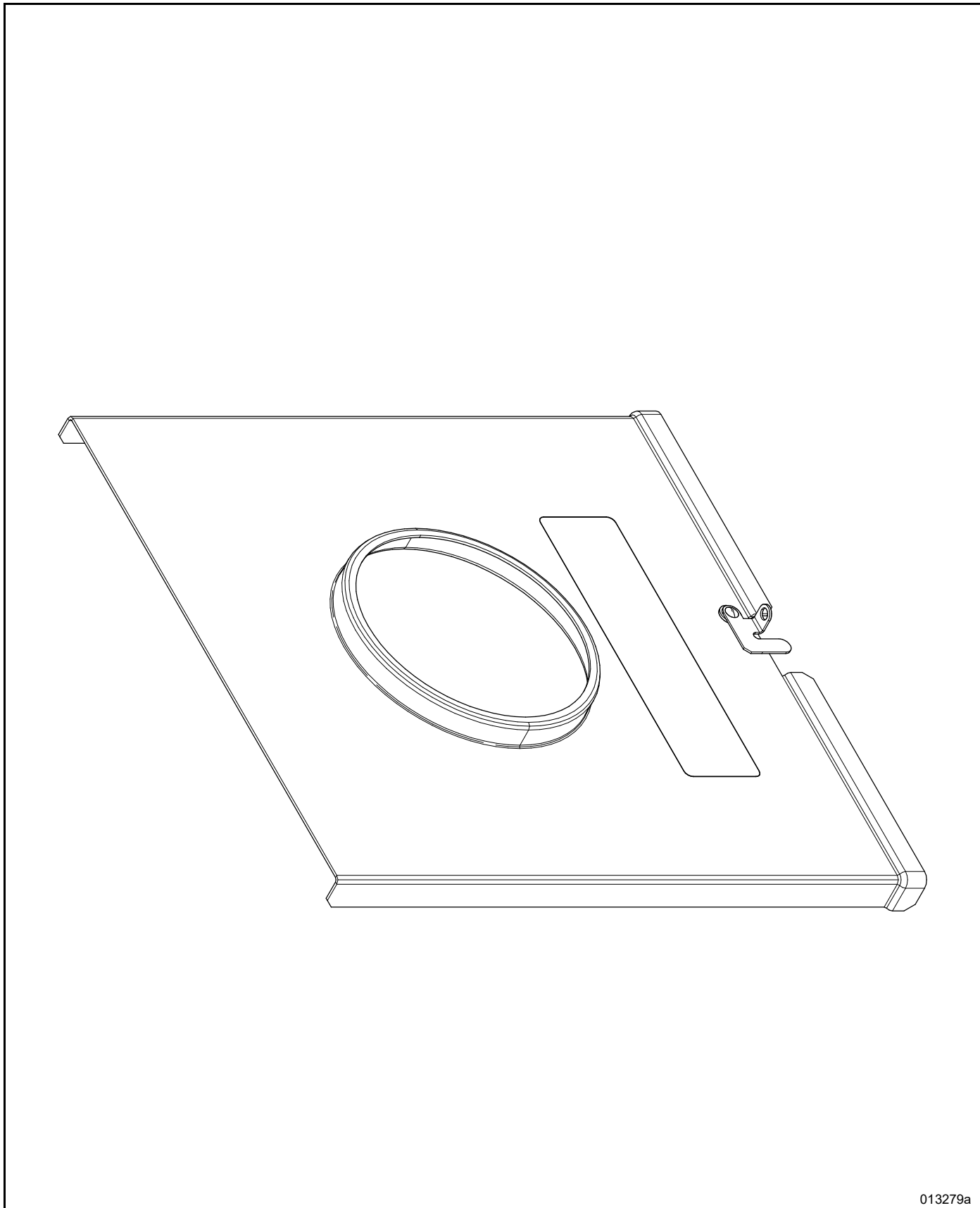
013277a

Accessory Kit Pedestal 48 in. Extension G0074070



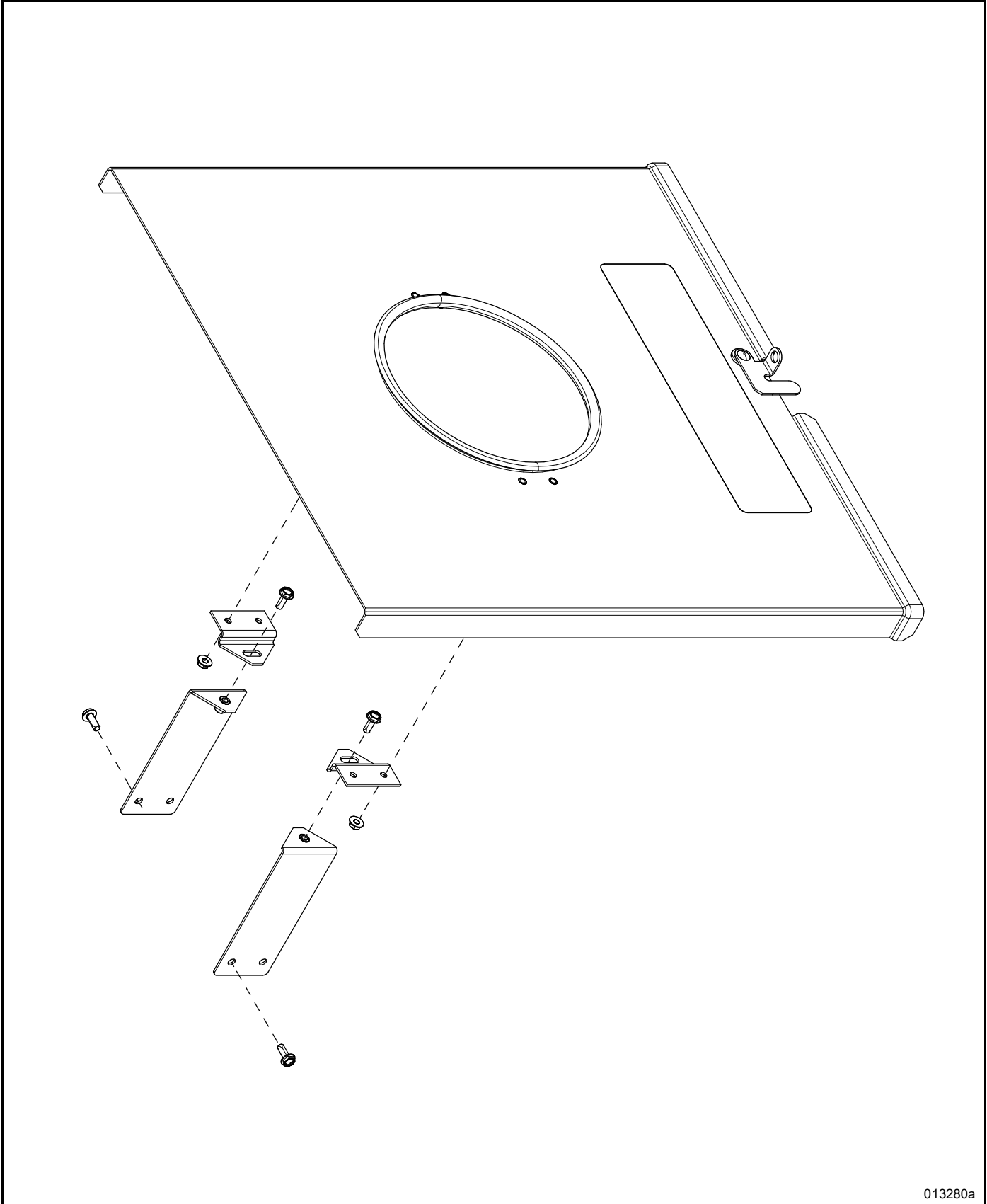
013278a

Accessory Kit ATS Ringless Cover G0074080



013279a

Accessory Kit Tamper Proof Upper Cover G0074100



013280a

Part No. A0000243082 Rev. D 11/11/2021

©2021 Generac Power Systems, Inc.
All rights reserved.
Specifications are subject to change without notice.
No reproduction allowed in any form without prior written consent
from Generac Power Systems, Inc.

GENERAC[®]

Generac Power Systems, Inc.
S45 W29290 Hwy. 59
Waukesha, WI 53189
1-888-GENERAC (1-888-436-3722)
www.generac.com