

MLTS Kubota Engine (Pages 2-5)

MLTS Mitsubishi Engine (Pages 7-10)

MLTS-K

MOBILE LED LIGHT TOWER

SPECIFICATIONS

ENGINE SYSTEM

- Kubota® Z482-E4
- Diesel fueled
- EPA Tier 4 Final
- 2 cylinder
- 0.479 L displacement
- Power @ 1,800 rpm: 4.6 hp (3.4 kW) per SAE J1349
- Air filter: Dry type cartridge

Fuel System

- Tank usable capacity: 39.9 US gal (151 L)
- Fuel consumption

	Standard (No Export Power)	Export Power Option
Lights Only	0.19 US gph (0.72 L/hr)	0.19 US gph (0.72 L/hr)
100% Load	N/A	0.28 US gph (1.06 L/hr)

- Run time

	Standard (No Export Power)	Export Power Option
Lights Only	206 hr.	206 hr.
100% Load	N/A	144 hr.

- Fill port diameter: 3.5 in (89 mm)

Cooling System

- Liquid cooled

Lubrication System

- Oil filter: Full flow, spin-on type
- 1,000 hr. service interval†

*Data based on engine manufacturer and field test data after 50-hr engine break-in period. Actual results may vary, according to factors such as age and maintenance of equipment, environmental conditions, and fuel density. For fuel and maintenance recommendations, see owner's manual.

† Air and fuel filter vary, according to environmental factors.

GENERATOR

- 60 Hz
- Marathon Electric® brushless

CONTROLS

- Illuminated control panel with sealed switches
- Key-activated switch with 4 positions (OFF, GLOW PLUG, RUN, START)
- Digital hour meter
- Automatic shutdown for low oil pressure and high coolant temperature
- Analog (standard) - Single switch for all four lights
- Autolight digital controller (optional) - Independent control of all four lights

SYSTEM

	Standard (No Export Power)	Export Power Option
System Rating	1.4 kW	2.6 kW
Receptacle Rating	N/A	20A/120V



Picture shown may not reflect actual configuration.



Autolight Digital Controller (optional)

MLTS-K

MOBILE LED LIGHT TOWER

LIGHTS

- Four 320 W LED (G4) fixtures
- Aluminum and polymer housing
- Efficiency: 147 LPW
- Lm/fixture: 47,000
- Total lm: 188,000
- Coverage at 0.5 ft-c: 24,060 ft² (2,235 m²)
- IP68 LED modules; IP65 rated drivers
- Fixture-mounted drivers

ELECTRICAL SYSTEM

- Start trip breaker (ensures no-load condition exists at start-up)
- Light circuits with sealed breakers
- Wiring is sized and fused to required amperage draw

MAST

- Vertical operation and storage
- Four tubular steel sections with polymer guides
- Winch: Dual handle, manual crank, self-braking
- Distinctive angled fixture mount for common light distribution
- 359° rotation, lockable and adjustable from ground
- Industrial-black powder-coat
- Self-retracting, coiled mast cord

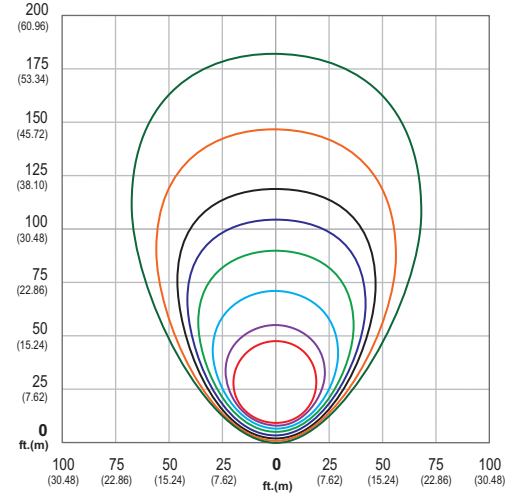
ENCLOSURE

- Hood:
 - Injection-molded with UV protected colorant
 - Flip-up design for ease of service
- Sound rating: 64 dB(A) @ 23 ft. (7 m) - lights only
- Center lifting point and fork pockets
- Multi-lingual operating and safety decals
- Illuminated license plate holder
- Document holder with owner's manual - includes AC and DC wiring diagrams

TRAILER

- Tubular steel frame
- 2 in. (50.8 mm) ball hitch
- Three 1,200 lb (544 kg) tube-and-sleeve leveling jacks - lockable into stowed positions
- Side outriggers
- 7,800 lb (3,538 kg) safety chains with spring loaded safety hooks
- Removable and foldable tongue -48 in. (121.9 cm) long
- DOT approved LED lights: Tail, side, brake, and directionals
- 2,200 lb (998 kg) leaf spring axle
- Tires: ST175/80 13" diameter

23 ft (7 m) mast height with 4 - 320 W LED fixtures - Standard configuration
70 degree tilt



30 foot candles	3 foot candles
20 foot candles	2 foot candles
10 foot candles	1 foot candles
5 foot candles	0.5 foot candles

Area illuminated by 0.5 foot-candles or more:
24,060 ft² (2,234 m²)

Scale = 200ft x 200ft (61m x 61m)

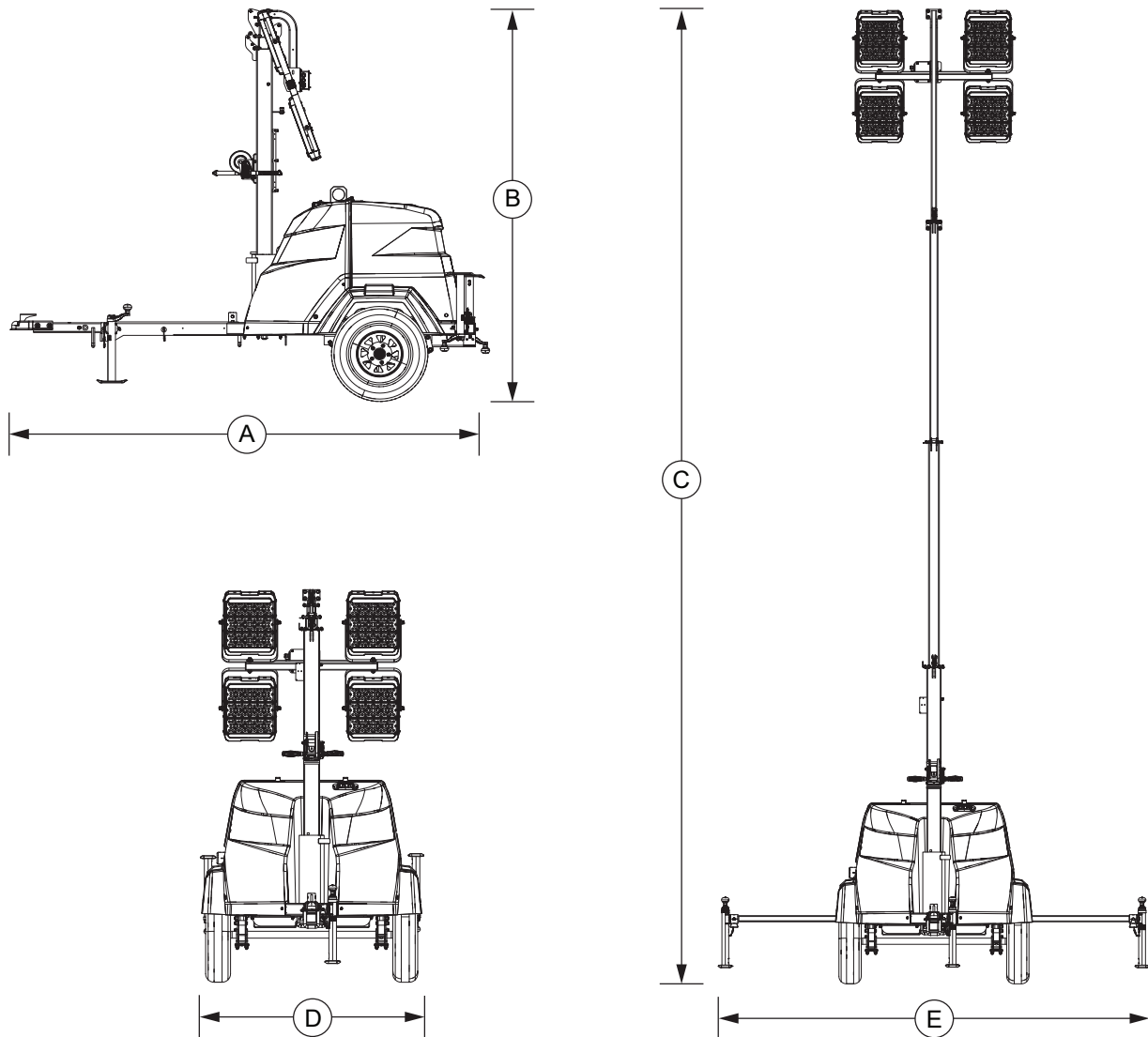
MLTS-K

MOBILE LED LIGHT TOWER

OPTIONS

- Autolight Digital Controller
- Electric Winch
- Winch Cover (cable cover is standard)
- Positive Air Shutdown
- 2.4 kW Export Power
20A x 120V GFCI
- Import/Utility Power (120V, 5-15P)
- Containment (oil and coolant)
- Tandem Tow
- Battery Charger
- Battery Disconnect
- Coolant Heater
- Fuel Filter Heater
- 60/40 Coolant
- Diffused LED Lens (4)
- Diffused LED Lens Storage
- Flat 4 to 7 Round Trailer Connect
- Spark Arrestor
- Telemetry
- Fire Extinguisher
- Ground Rod Kit

DIMENSIONS



009807

A	B	C	D	E
118 in. (3 m)	101 in. (2.6 m)	23 ft (7 m)	57 in. (1.45 m)	10 ft (3.05 m)

WEIGHT

	Export Option	Non-Export Option
Dry	1,170 lb. (531 kg)	1,114 lb. (501 kg)
Operating	1,445 lb. (655 kg)	1,389 lb. (630 kg)

MLTS-K

MOBILE LED LIGHT TOWER

AMBIENT CLIMATE RATINGS

- Wind rating: 65 mph (105 km/h)
- Air temperature ratings:
 - Standard units: 0°F to 120°F (-18°C to 49°C)
 - Unit equipped with cold weather options: -20°F to 120°F (-28.9°C to 49°C)

CERTIFICATIONS

- Tier 4 Final
- CSA

WARRANTY

- Tower: 1 year, unlimited hours/ 2 years, 2,000 hours
- LED modules and drivers: 5 year limited warranty

FOR MORE INFORMATION

- Owner's manual is available at www.generacmobileproducts.com/service-support/manuals

* All measurements are approximate and for estimation purposes only.



Specification characteristics may change without notice. Dimensions and weights are for preliminary purposes only. Please consult a Generac Mobile Authorized Service Dealer for detailed installation drawings.

MLTS Mitsubishi Engine



SPECIFICATIONS

ENGINE SYSTEM

- Mitsubishi® L2E
- Diesel fueled
- EPA Tier 4 Final
- 2 cylinder
- 0.635 L displacement
- Power @ 1,800 rpm: 7.1 hp (5.2 kW)
- Air filter: Dry type cartridge

Fuel System

- Tank usable capacity: 39.9 gal (151.04 L)
- Run time - hr:

	<u>Standard</u>	<u>Export Power Option</u>
• Lights only:	162*	165*
• 100% load:	NA	144*
- Fuel consumption - gph (Lph):

	<u>Standard</u>	<u>Export Power Option</u>
• Lights only:	0.25 (0.95)*	0.24 (0.91)
• 100% Load:	NA	0.28 (1.06)
- Fill port diameter: 3.5 in (89 mm)

Cooling System

- Liquid cooled

Lubrication System

- Oil filter: Full flow, spin-on type
- 1,000-hr service interval**†

*Data based on engine manufacturer and field test data after 50-hr engine break-in period. Actual results may vary, according to factors such as age and maintenance of equipment, environmental conditions, and fuel density. For fuel and maintenance recommendations, see owner's manual.

**For maximum service interval, replace oil filter after 50-hr break-in period. For oil filter model number, see owner's manual.

†Air and fuel filter vary, according to environmental factors.

GENERATOR

- 60 Hz
- Marathon Electric® brushless

SYSTEM

- | | <u>Standard</u> | <u>Export Power Option</u> |
|-----------------------|-----------------|----------------------------|
| • System rating - kW: | 1.4 | 2.4 |
| • Receptacle rating: | NA | 20 A / 120 V |

CONTROLS

- Illuminated control panel with sealed switches
- Key-activated switch with 4 positions (GLOW PLUG, OFF, RUN, START)
- Digital hour meter
- Automatic shutdown for low oil pressure and high coolant temperature
- One switch controls all light fixtures



Picture shown may not reflect actual configuration.

FLOODLIGHTS

- Four 320 W LED (G4) fixtures
- Aluminum and polymer housing
- Efficiency: 147 LPW
- Lm/fixture: 47,000e
- Total lm: 188,000
- Coverage at 0.5 ft-c: 24,060 ft² (2,235 m²)
- IP68 LED modules; IP65 rated drivers
- Fixture-mounted drivers

ELECTRICAL SYSTEM

- Start trip breaker (ensures no-load condition exists at start-up)
- Floodlight circuits with sealed breakers
- Wiring is sized and fused to required amperage draw
- 440 CCA wet cell battery

MAST

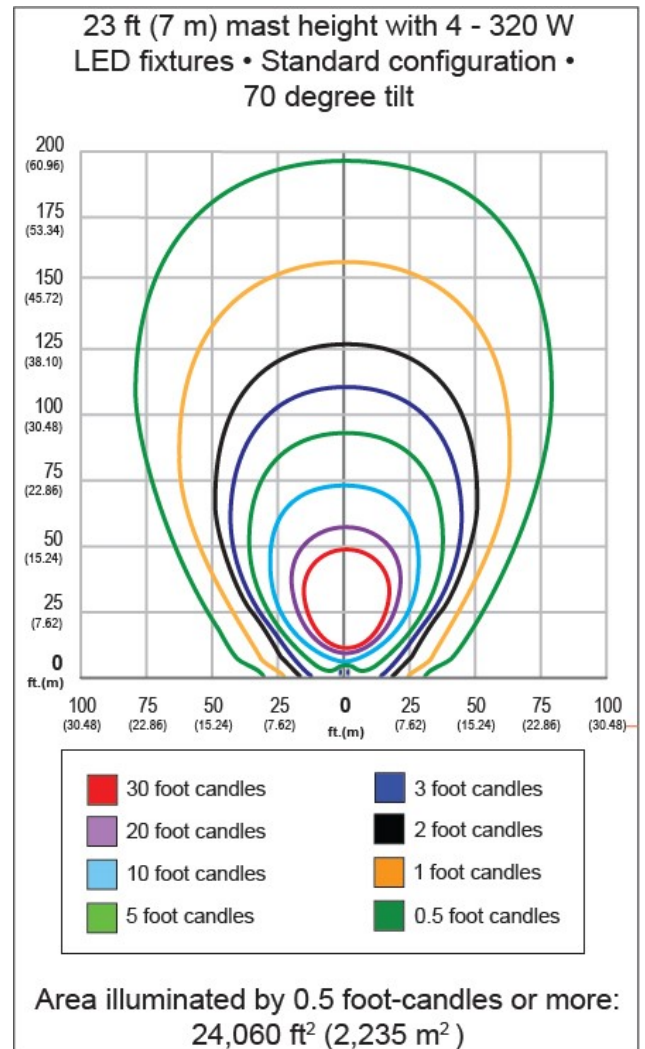
- Vertical operation and storage
- Five tubular steel sections with polymer guides
- Winch: Dual handle, manual crank, self-braking
- Distinctive angled fixture mount for common light
- 359° rotation, lockable and adjustable from ground
- Industrial-black powder-coat
- Self-retracting, coiled mast cord

ENCLOSURE

- Hood:
 - Injection-molded with UV protected colorant
 - Flip-up design for ease of service
- Sound rating: 67 dB(A) at 23 ft (7 m) - lights only
- Lifting point and fork pockets
- Multi-lingual operating and safety decals
- Illuminated license plate holder
- Document holder with owner's manual - includes AC and DC wiring diagrams

TRAILER

- Tubular steel frame
- 2 in (50.8 mm) ball hitch
- Three 1,200 lb (544 kg) tube-and-sleeve leveling jacks - lockable into stowed positions
- Side outriggers
- 7,800 lb (3,538 kg) safety chains with spring loaded safety hooks
- Removable and foldable tongue - 48 in (121.9 cm) long
- DOT approved LED lights: Tail, side, brake, and directionals
- 2,200 lb (998 kg) leaf spring axle
- Tires: ST175/80D13



MLTS

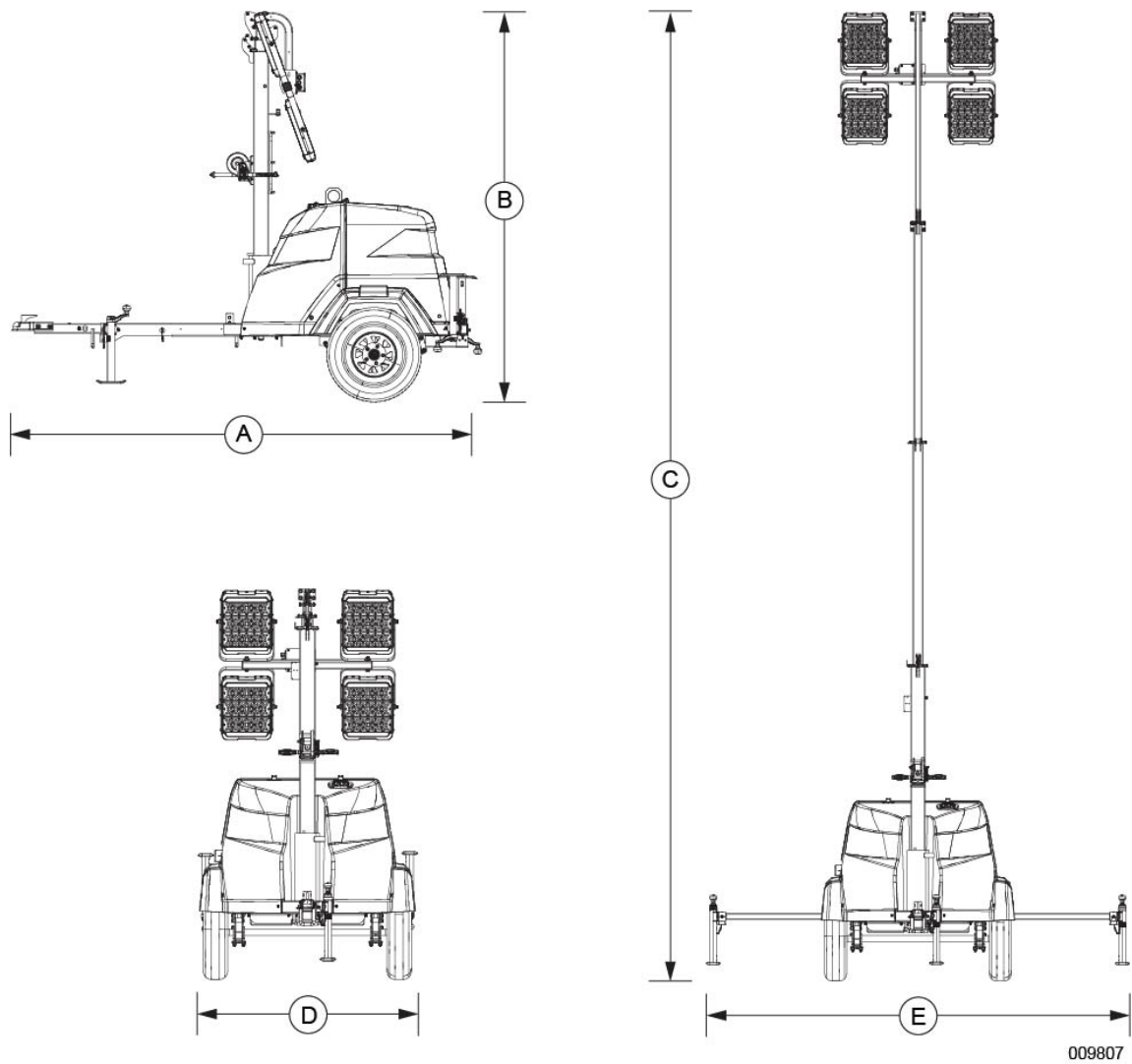
LED LIGHT TOWER

GENERAC | **MOBILE**

OPTIONS

- Autolight Digital Controller
- 2.4 kW export power - 20 A × 120 V Duplex
- Electric winch
- Diffused LED
- Diffused LED lens storage
- Flat 4 to round 7 spade
- Containment (oil and coolant)
- Tandem tow
- Battery charger
- Battery disconnect
- Hitch options
- Winch cover (cable cover is standard)
- Fuel filter heater
- Engine coolant heater
- 60 / 40 coolant
- Positive air shutoff (PAS)

DIMENSIONS



009807

A	B	C	D	E
118 in (3 m)	101 in (2.6 m)	23 ft (7 m)	57 in (1.45 m)	10 ft (3.05 m)

WEIGHT

- | | Standard | Export Power Option |
|-------------|---------------------|---------------------|
| • Dry: | 1,110 lb (503.5 kg) | 1,185 lb (537.5 kg) |
| • Operating | 1,415 lb (641.8 kg) | 1,440 lb (653.2 kg) |

AMBIENT CLIMATE RATINGS

- Wind rating: 65 mph (105 km/h)
- Air temperature ratings:
 - Standard units: 0 °F to 120 °F (-18 °C to 49 °C)
 - Units equipped with cold-weather options: -18 °F to 120 °F (-28 °C to 49 °C)

WARRANTY

- Tower: 1 year, unlimited hours/2 years, 2,000 hours
- LED modules and drivers: 5 year limited warranty

CERTIFICATIONS

- CSA certified

FOR MORE INFORMATION

Owner's manual is available at www.generacmobileproducts.com/service-support/manuals.

* All measurements are approximate and for estimation purposes only.



Specification characteristics may change without notice. Dimensions and weights are for preliminary purposes only. Please consult a Generac Mobile Authorized Service Dealer for detailed installation drawings.