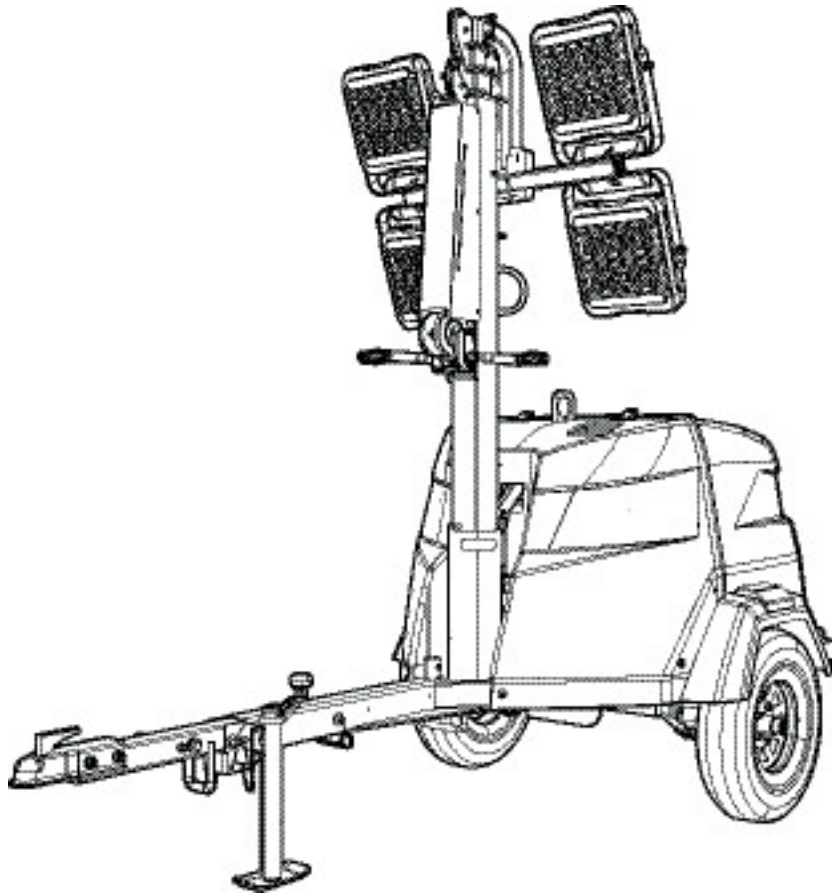


MLTB

Light Tower Parts Manual



MODEL NUMBER: _____

SERIAL NUMBER: _____

DATE PURCHASED: _____

SAVE THIS MANUAL FOR FUTURE REFERENCE

Introduction

This parts manual was prepared based on the information available at the time of publication and is subject to change without notice. Generac Mobile reserves the right to change parts at any time. To check whether a revised parts manual is available, contact Generac Mobile .

DO NOT MODIFY or use this equipment for any application other than which it was designed for. To keep your equipment fully operational, it is suggested you maintain a stock of commonly used maintenance or service parts. A recommended spare parts list can be found in the back of this manual. To order service parts, please go to www.generacmobileproducts.com or call Generac Mobile.

⚠ WARNING



Consult Manual. Read and understand manual completely before using product. Failure to completely understand manual and product could result in death or serious injury.

(000100a)

⚠ WARNING

Environmental Hazard. Always recycle batteries at an official recycling center in accordance with all local laws and regulations. Failure to do so could result in environmental damage, death, or serious injury. (000228)

GENERAC MOBILE PRODUCTS LLC

215 Power Drive • Berlin, WI 54923 U.S.A.

Phone: 920-361-4442

FAX: 920-361-4416

Toll Free: 1-800-926-9768

www.generacmobileproducts.com

**For technical or parts QUESTIONS, contact Generac Mobile Technical Service
at 1-800-926-9768.**

This Page Intentionally Left Blank

Table of Contents

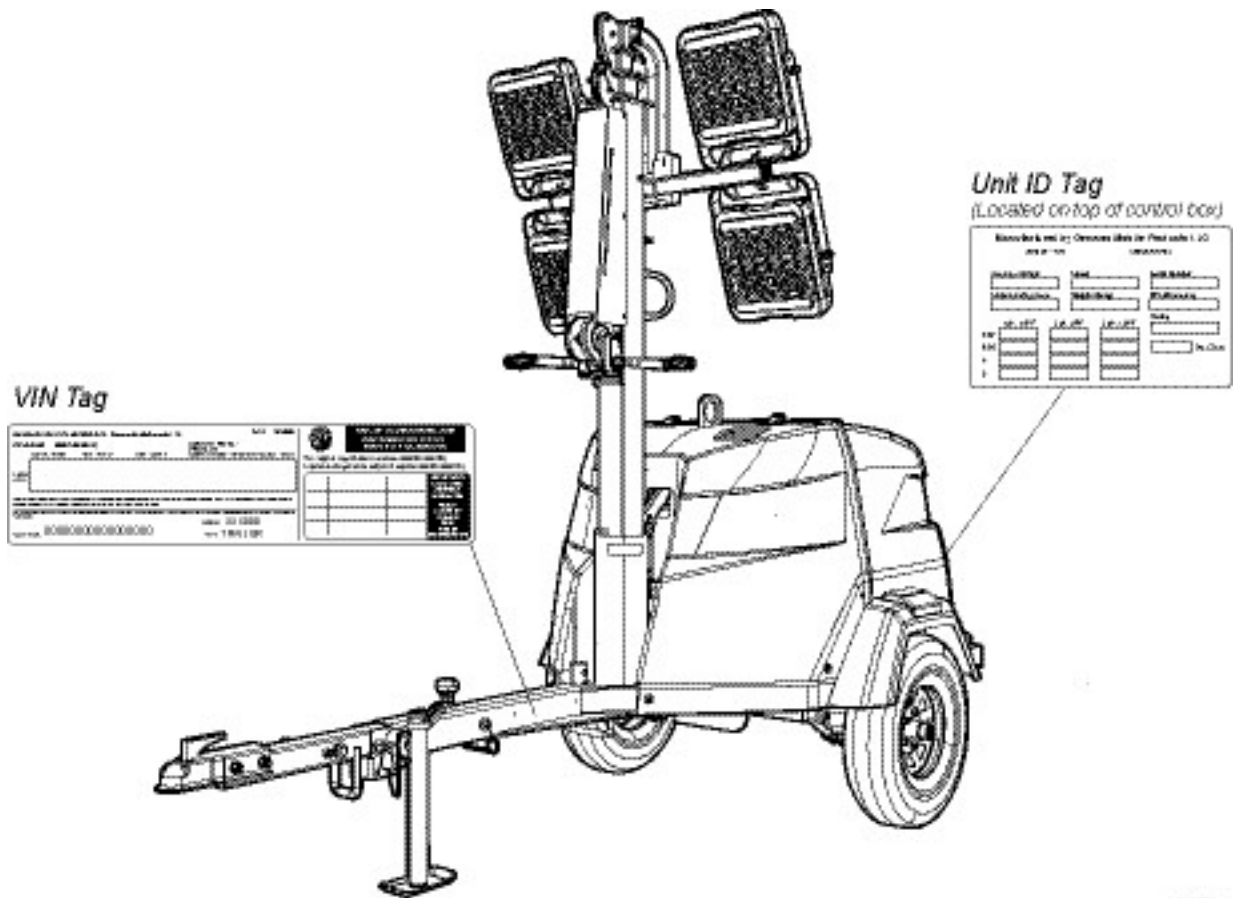
Introduction	iii
Unit Decals - Exterior.....	2
Unit Decals - Interior.....	4
Mast, Junction Box and Lights to Unit	6
Light Assembly	8
Mast Junction Box Assembly.....	10
Mast Assembly	12
Mast Assembly - Bottom Post - Manual Winch	14
Electrical Panel Assembly	16
Enclosure Assembly (1 of 2).....	18
Enclosure Assembly (2 of 2).....	20
Control Box Assembly	22
Drivers And Battery Charger to Unit.....	24
Inverter Frame Assembly	26
Lift Structure and Battery Assembly	28
Trailer Assembly.....	30
Tandem Tow / Hitch Options	32
Recommended Spare Parts - Electrical	34
Recommended Spare Parts - Mast and Lights.....	36

Parts Manual Instructions

Product illustrations are only representations. Products supplied may vary from the illustrations in this parts manual. Parts not shown in the illustration are indicated by a double dash (--) in the item column.

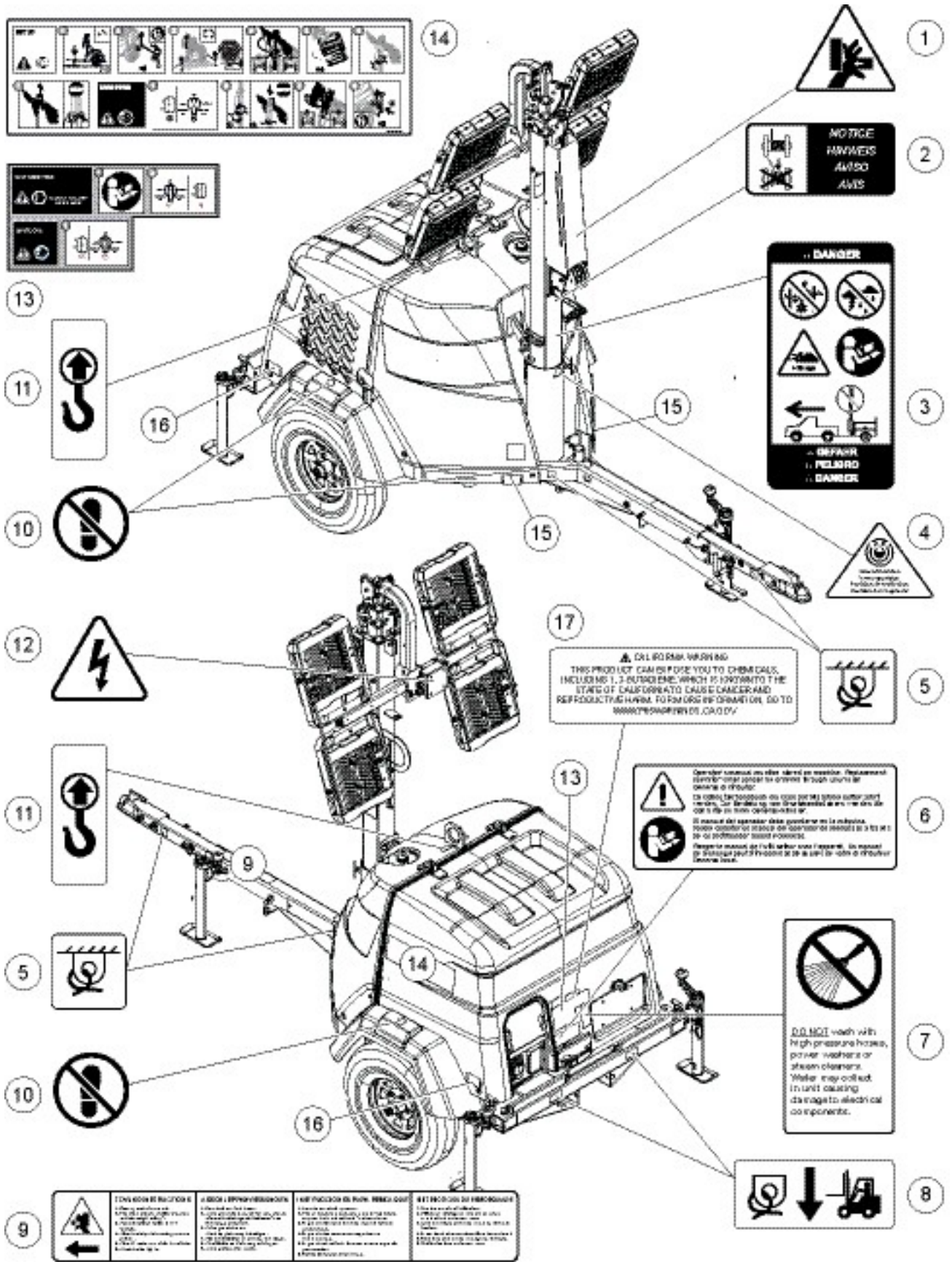
Please be prepared to provide the following information when ordering replacement parts: model number, serial number (on unit serial tag), part number, purchase order number (if applicable), shipping address, shipping method.

Refer to the illustration below to locate the unit ID tag and Vehicle Identification Number (VIN) tag on the unit. Important information, such as the unit serial number, model number, VIN and tire loading information are found on these tags. Record the information from these tags so it is available if the tags are lost or damaged. When ordering parts or requesting assistance, you may be asked to provide this information.



03754

UNIT DECALS - EXTERIOR

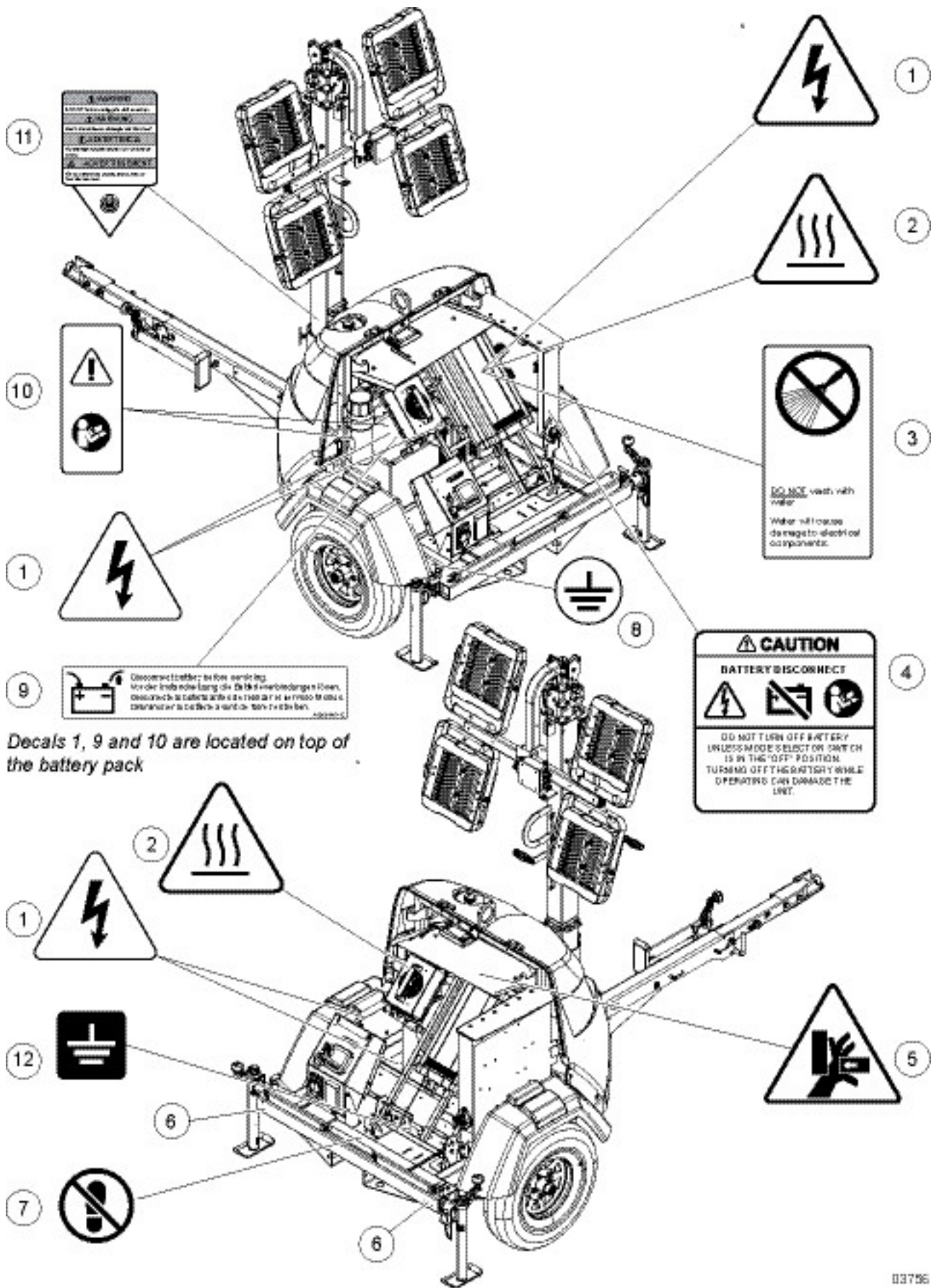


03705

UNIT DECALS - EXTERIOR

Item	Part No.	Qty	Description	Notes
1	A0000268137	1	DECAL ENTANGLEMENT WARNING TRIANGLE	
2	A0000660775	1	DECAL NOTICE MAST CABLE WINDING	
3	A0000491818	1	DECAL HAZARD OVERHEAD-WIND-STORM-TOW	
4	A0002490645	1	DECAL STOWED POSITION	
5	10000022772	4	DECAL ISO TIE DOWN POINT 35MM	
6	10000023884	1	DECAL OPERATOR MANUAL STORAGE	
7	A0003708057	1	DECAL PRESSURE WASH HAZARD	
8	A0002490556	2	DECAL FORKLIFT POCKET AND TIE-DOWN	
9	A0002739695	1	DECAL GLT TOWING INSTRUCTIONS	
10	A0000116412	3	DECAL DO NOT STEP	
11	10000023234	2	DECAL OVERHEAD LIFT POINT	
12	A0000660449	1	DECAL ELECTRICAL HAZARD MEDIUM 55MM	
13	A0003272271	1	DECAL OPERATION - MLTB (MANUAL)	
14	A0003272266	1	DECAL OPERATION - MLTB (MANUAL)	
15	A0000617188	2	REFLECTOR AMBER 2 X 3.5 SAE A PSA	
16	A0000617187	2	REFLECTOR RED 2 X 3.5 SAE A PSA	
17	A0004058886	1	DECAL, PROP 65 BUTADIENE	

UNIT DECALS - INTERIOR

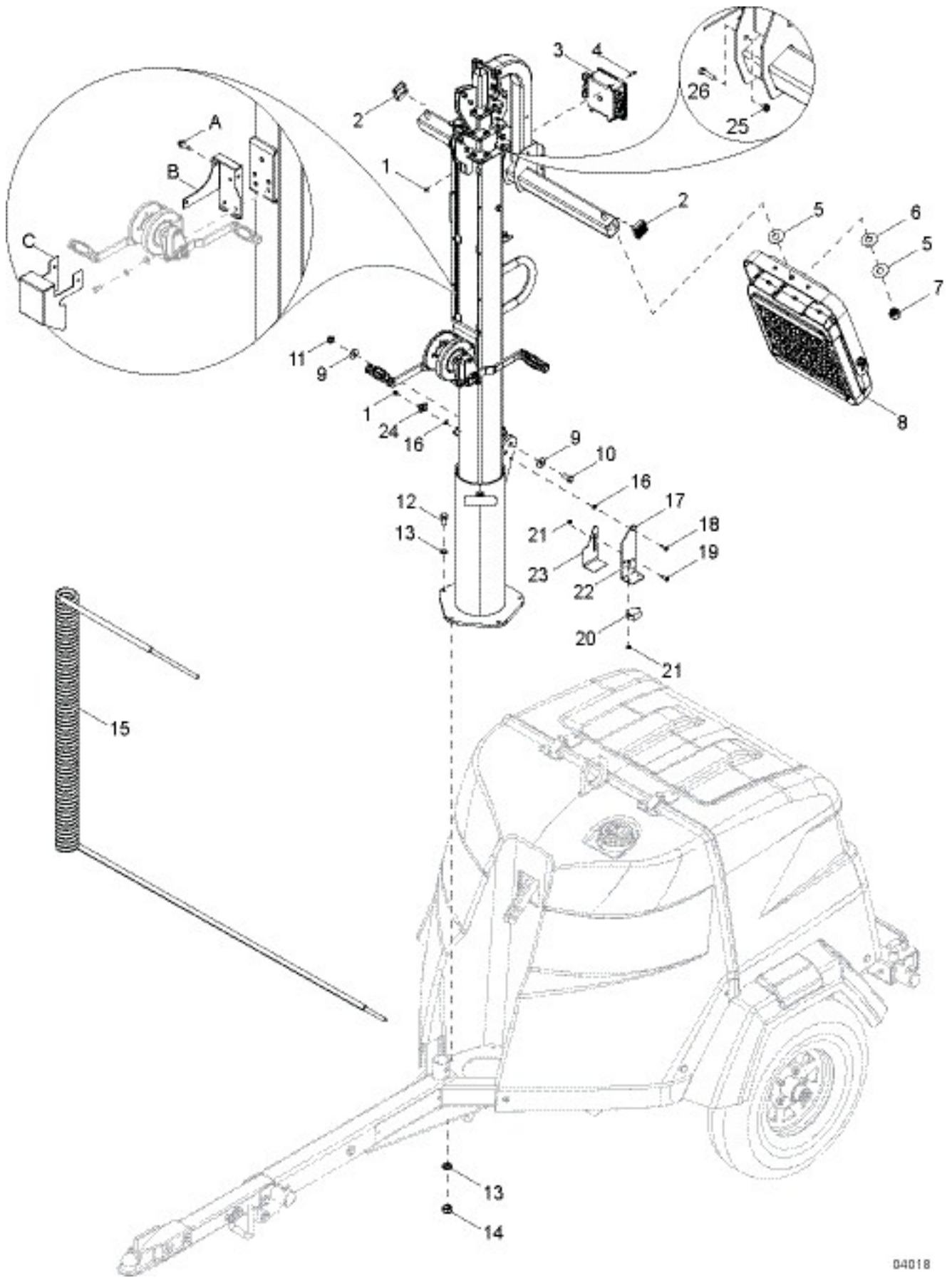


03795

UNIT DECALS - INTERIOR

Item	Part No.	Qty	Description	Notes
1	A0000660449	6	DECAL ELECTRICAL HAZARD MEDIUM 55MM	
2	A0000631841	2	DECAL HIGH TEMP HAZARD MEDIUM 55MM	
3	A0003708065	1	DECAL WASH HAZARD INVERTER	
4	A0004042782	1	DECAL BATTERY DISCONNECT	
5	A0000631837	1	DECAL CRUSH FROM RHT HAZARD MED 55MM	
6	A0000617187	2	REFLECTOR RED 2X3.5 SAE A PSA	
7	A0000116412	1	DECAL DO NOT STEP	
8	10000035617	1	DECAL, GROUND	
9	A0000116413	1	DECAL NEG BATT DISCONNECT FOR SERVICE	
10	A0000631840	2	DECAL WARNING CONSULT OMNL	
11	A0002490669	1	DECAL DO NOT RETRACT OUTRIGGERS	
12	10000022308	1	DECAL CONNECTION LUG GND 32MM	

MAST, JUNCTION BOX AND LIGHTS TO UNIT



04018

MAST, JUNCTION BOX AND LIGHTS TO UNIT

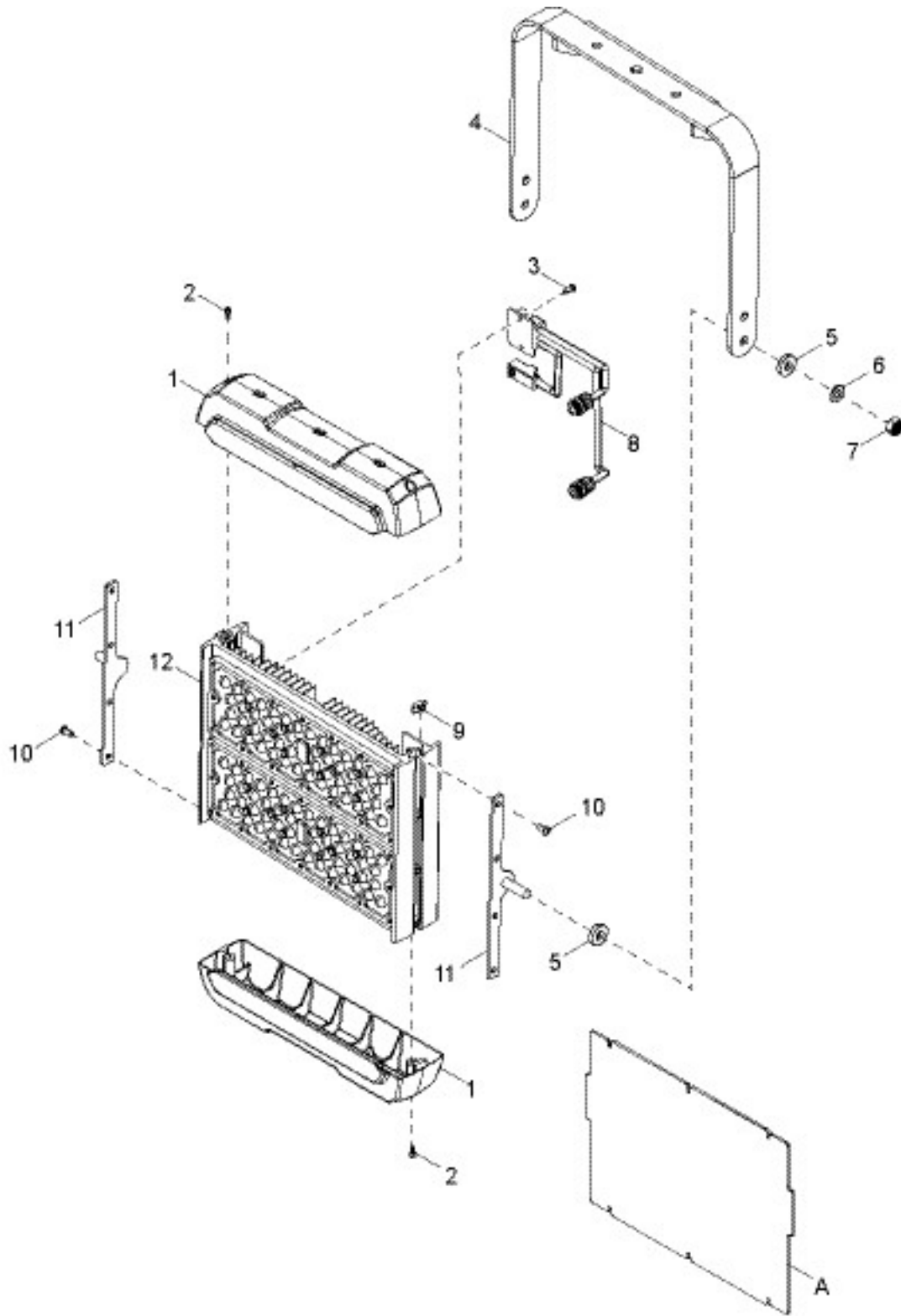
Item	Part No.	Qty	Description	Notes
1	60061	6	NUT, 10-32 NYLOCK, ZC	
2	10000023259	2	PLUG, 2.0 SQUARE X .14 GA TUBE, PLASTIC	
3	A0001500722	1	ASSEMBLY, MAST BOX LED HARD WIRE	
4	60062	4	SCREW, 10-32 X .750 PAN PHILLIPS, G2	
5	A0000221212	8	WASHER FLAT M12 X 37OD X 1.5THK NYLON	
6	G052259	4	WASHER FLAT M12	
7	0D7119	4	NUT HEX LOCK M12-1.75 NY INS	
8	A0001893908	4	ASSY LED LIGHT HARD WIRE 240W W/GRND	
9	G022304	4	WASHER FLAT 1/2 ZINC	
10	60484	2	SCREW, .500-13 X 2.0 STANDARD HEX, G5	
11	62221	2	NUT, .500-13 NYLOCK, G5	
12	60139	5	SCREW, .375-16 X 1.50 HEX, G5	
13	60386	10	WASHER, .375 FLAT .993/.064	
14	60358	5	NUT, .375-16 NYLOCK, G5	
15	A0000098118	1	ASSEMBLY, COIL CORD	
16	60237	4	WASHER, #10 FLAT .495/.036 ZC SAE	
17	70208B	1	BRACKET, NIGHT WATCHMAN	
18	G036937	2	SCREW PPHM #10-32 X 1	
19	62054	2	SCREW, 8-32X.500 PAN PHIL 18-8 SS	
20	68763	1	ASSEMBLY, NIGHT WATCHMAN	
21	60270	4	NUT, 8-32 NYLOCK	
22	60488	2	SCREW, 8-32X.750 PAN PHIL G2 ZC	
23	56610B	1	COVER, DUSK TO DAWN SENSOR	
24	60375	2	CLAMP, TUBING - .312 LT DUTY	
25	0E6480	1	NUT HEX LOCK M4-0.7 NY INS	
26	G075476	1	SCREW PPHM M4-0.7 X 16	
--	A0003754256	1	TERM FERRULE INS TWIN 18 AWG 12MM RED	

OPTIONAL FEATURES

MAST WINCH COVER OPTION (If equipped):

A	60528	4	SCREW, .250-20X.625 SFLG HEX G5 ZC
B	A0004064495	1	ASSY-PLATE-MANUAL WINCH
C	A0000527662	1	STB COVER, MANUAL WINCH - MLT6/8S

LIGHT ASSEMBLY



CG1708

LIGHT ASSEMBLY

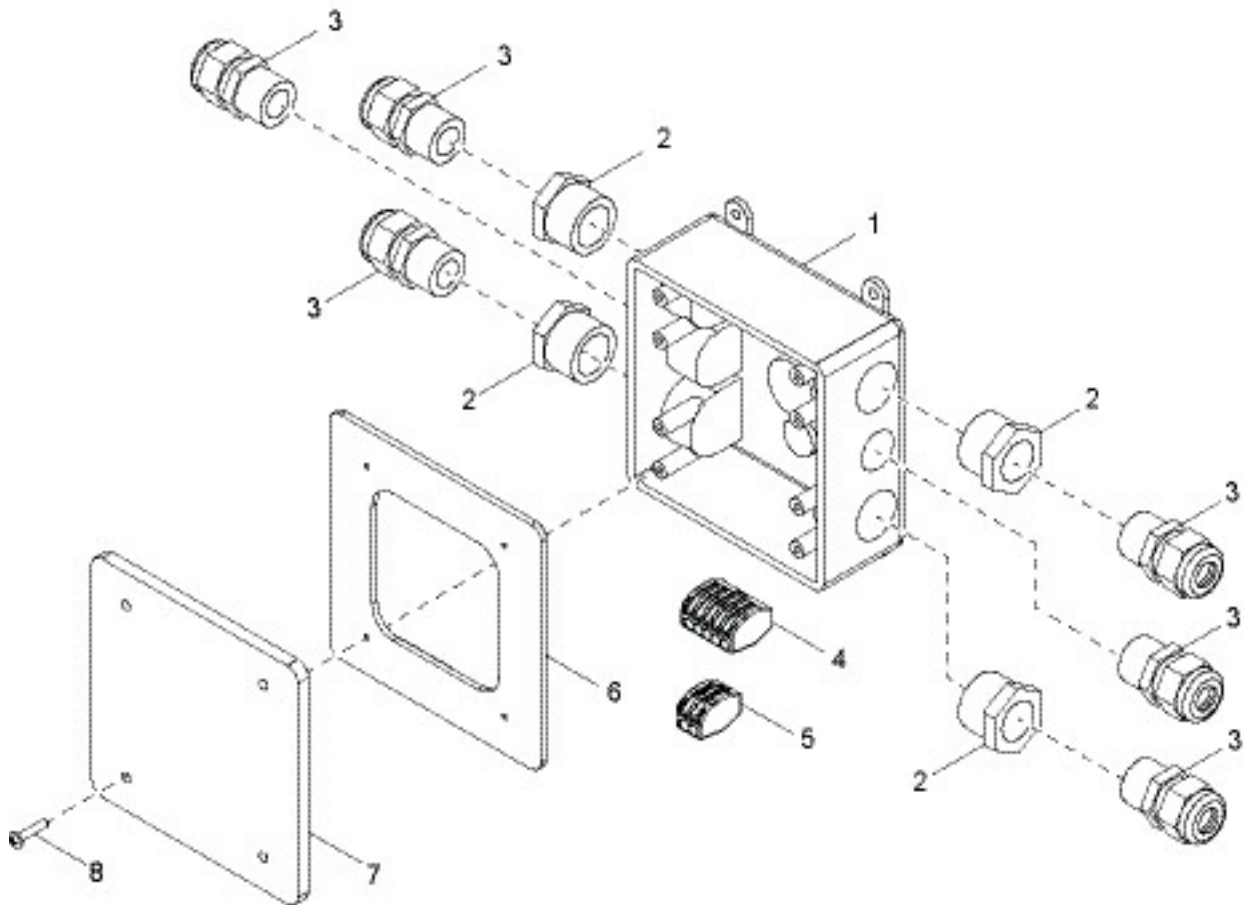
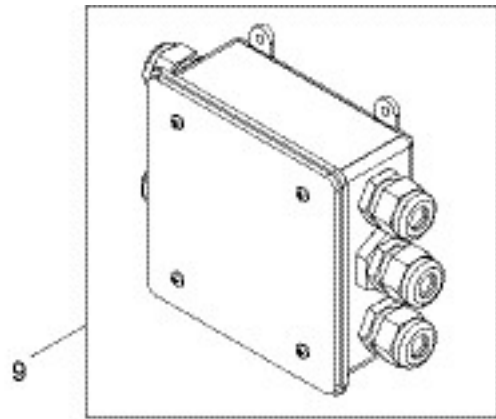
Item	Part No.	Qty	Description	Notes
1	A0000092362	2	END CAP, W DIFFUSER SLOT	
2	A0000188756	4	SCREW, M4-0.7 X 8 SUNKEN HEX	
3	G020745	2	SCREW PPHM M4-0.7 X 12	
4	A0000416868	1	TRUNNION 240W/320W	
5	A0000188752	4	WASHER, M10 ID X 25MM OD - NYLON	
6	60027	2	WASHER, M10 FLAT	
7	A0000009451	2	NUT, M10-1.50 NYLOCK, G8.8	
8	A0001893906	1	3 POS CABLE 2 WAY SPLITTER PARALLEL	
9	A0000188739	8	NUT, M6-1.00 X 12 HAMMER	
10	A0000214354	8	SCREW, M6-1.0 X 12 BHSC - BLACK	
11	A0000203130	2	BRACKET TRUNNION TO FRAME 240W	
12	A0001893904	1	ASSY LED 240W MODULE W/GROUND	

OPTIONAL FEATURES

DIFFUSER OPTION (If equipped):

A	A0002723057	1	KIT DIFFUSER LENS LED 240W (4PC KIT)
---	-------------	---	--------------------------------------

MAST JUNCTION BOX ASSEMBLY

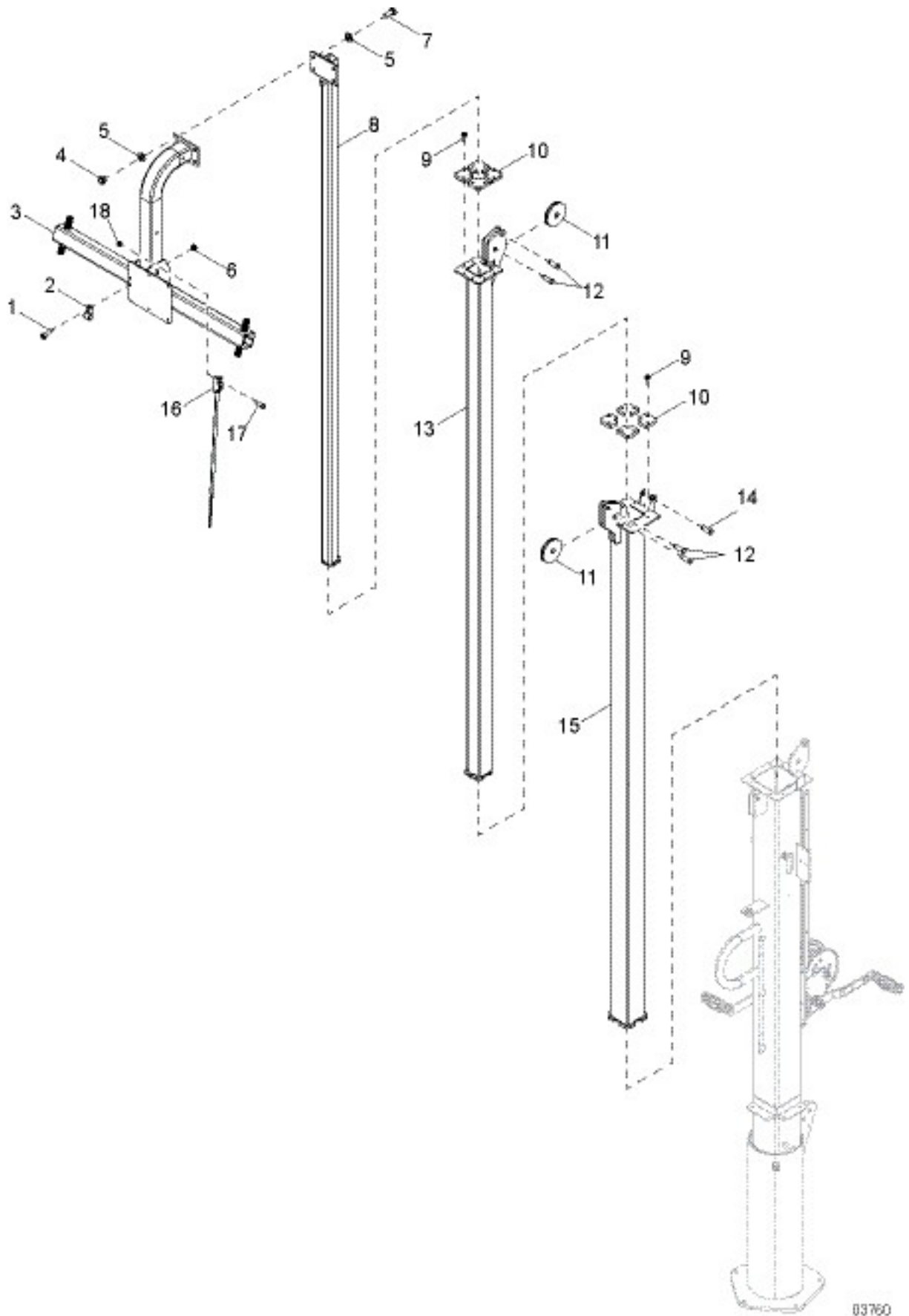


03758

MAST JUNCTION BOX ASSEMBLY

Item	Part No.	Qty	Description	Notes
1	12094	1	BOX, JUNCTION	
2	60755	4	FITTING, STRAIGHT .750MNPT X .500FNPT,	
3	15864	6	STRAIN RELIEF, .500NPT WATER TIGHT	
4	66102	2	CONNECTOR, WAGO 5 POS	
5	66100	4	CONNECTOR, 2 POS WAGO	
6	13749SRV	1	GASKET, JUNCTION BOX - HFI 281000	
7	12109	1	COVER, BOX, 2-GANG PLASTIC	
8	60424	4	SCREW, 6-32 X .750 PAN PHILLIPS, G2	
9	A0001500722	1	ASSEMBLY, MAST BOX	ITEMS 1-8
--	A0004496110	1	DECAL MAST JUNCTION BOX G3 LED	

MAST ASSEMBLY

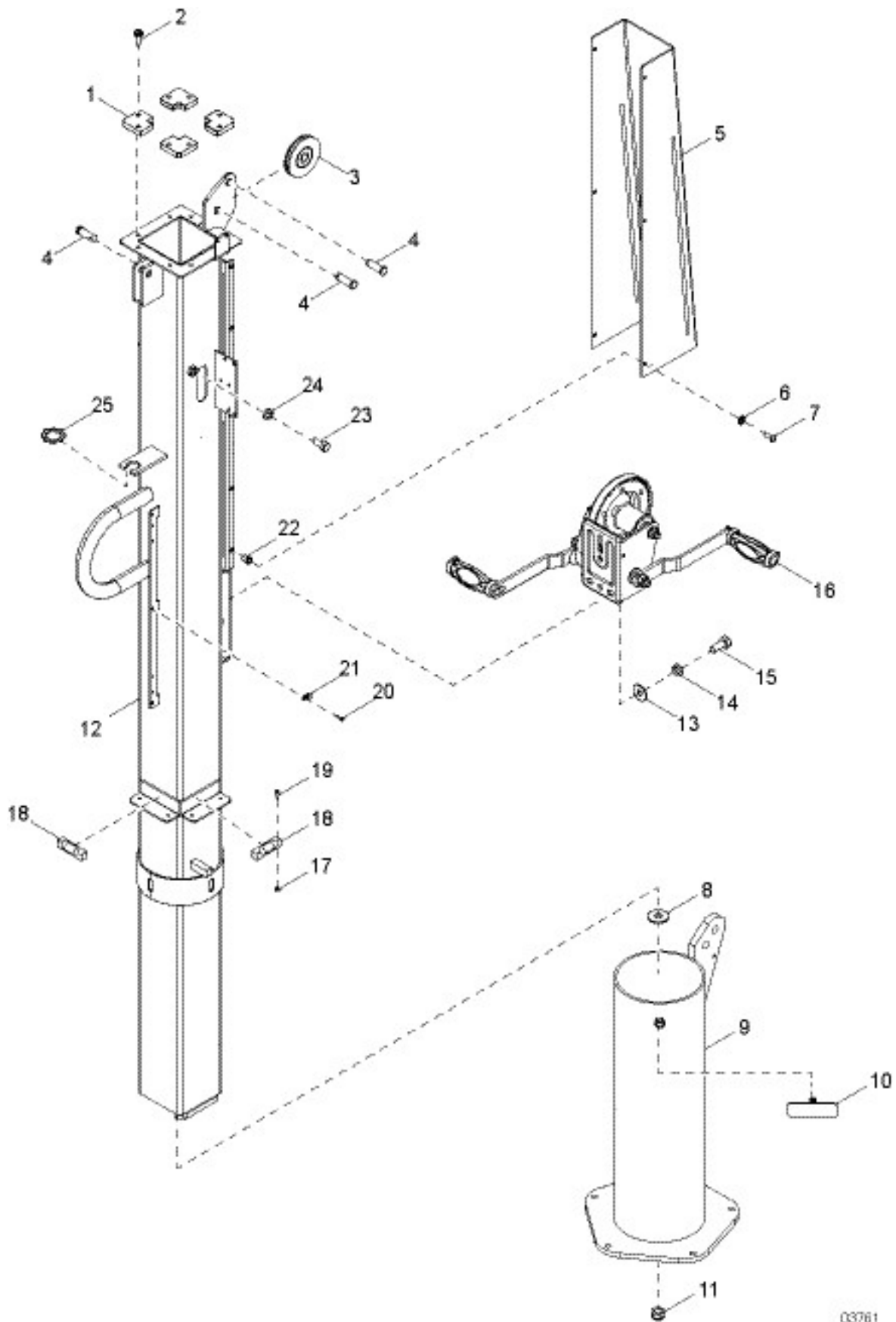


03760

MAST ASSEMBLY

Item	Part No.	Qty	Description	Notes
1	60107	1	SCREW .250-20X.750 SFLG HEX G5	W/A0001500722
2	60375	1	CLAMP, TUBING .312 - LT DUTY	W/A0001500722
3	A0000199129	1	STB WELDMENT MAST CROSSARM	
4	60358	4	NUT, .375-16 NYLOCK, G5	
5	60386	8	WASHER, .375 FLAT .993/.064	
6	60787	1	NUT, .250-20 NYLK 18-8 SS	W/A0001500722
7	60352	4	SCREW, .375-16 X 1.250 HEX, G5	
8	31264B	1	WELDMENT, MAST - 1.50	
9	63358	16	SCREW, .250-20 X .625 HEX WASH HD	
10	31225	8	GUIDE	
11	33736	2	ASSEMBLY, PULLEY - VERTICAL MAST	
12	63325	4	PIN, CLEVIS .500 DIAMETER X 1.063 UL	
13	31261B	1	WELDMENT, MAST - 2.25	
14	35655	1	PIN, CLEVIS .500 DIAMETER X 1.750 ZP	
15	A0002848667	1	STB WELDMENT MAST 3.00	
16	A0002233216	1	ASM CABLE MOLDED GROUND TERMINAL	
17	G075476	1	SCREW PPHM M4-0.7 X 16	
18	0E6480	1	NUT, HEX LOCK M4-0.7 NY INS	
--	31247	1	CABLE, .188 X 144 W/BALL SWEDGE	WINCH CABLE
--	31248	1	CABLE, .188 X 79.750 W/BALL SWEDGE	MIDDLE CABLE
--	31277	1	CABLE, .188 X 78.0 W/BALL SWEDGE	TOP CABLE

MAST ASSEMBLY - BOTTOM POST - MANUAL WINCH

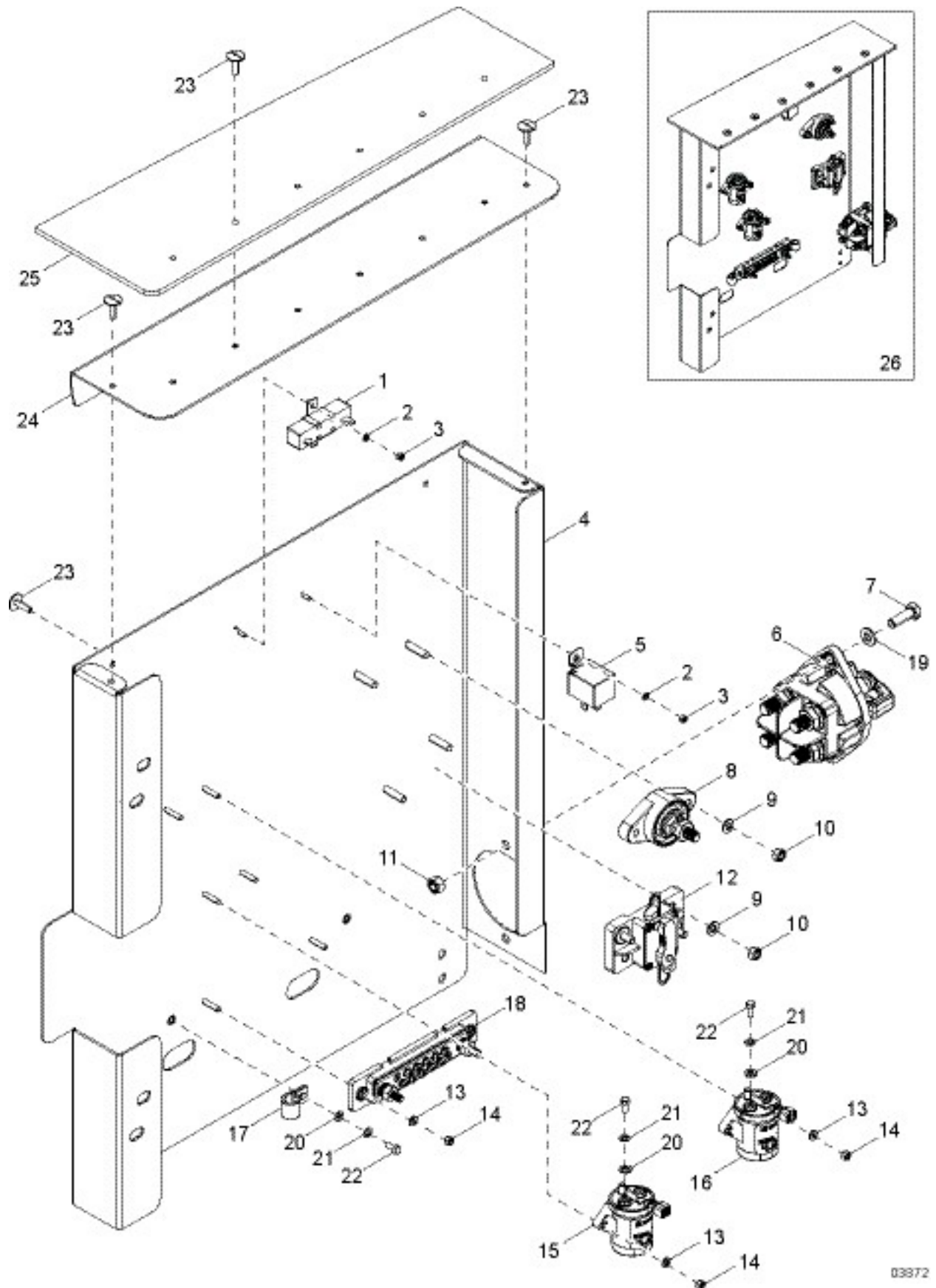


03761

MAST ASSEMBLY - BOTTOM POST - MANUAL WINCH

Item	Part No.	Qty	Description	Notes
1	31225	4	GUIDE	
2	63358	8	SCREW, .250-20 X .625 HEX WASHER HEAD	
3	33736	1	ASSEMBLY, PULLEY VERTICAL MAST	
4	63325	3	PIN, CLEVIS .500 DIAMETER X 1.063 UL	
5	72116B	1	CABLE GUARD, MANUAL WINCH	
6	60067	6	WASHER, #10 FLAT .435/.060 18-8 SS	
7	60398	6	SCREW, 10-32X.500 PAN PHIL18-8 SS	
8	60247	1	WASHER, .750 FLAT 2.020/.130	
9	31218B	1	WELDMENT, MAST ROTATION TUBE	
10	10000018317	1	STZY WELDMENT T HANDLE	
11	60584	1	NUT, .750-10 NYLOCK, G5	
12	A0002749456	1	STB WELDMENT MAST 4.00	
13	60386	3	WASHER. .375 FLAT .993/.064	
14	60206	3	WASHER, .375 SPLIT LOCK - HARDENED	
15	60205	3	SCREW, .375-16 X 1.0 HEX, G5	
16	72127	1	WINCH, MANUAL - 1500 LB, DUAL HANDLE	
17	60051	4	NUT, M4-.70 NYLK G8.8 ZC	
18	A0000764090	2	LEVEL- SPIRIT	
19	A0000945464	4	SCREW PFHM M4-0.7 X 25 18-8 SS	
20	60268	3	RIVET, .188 DIA X .126 TO .250 GRIP SS	
21	60375	3	CLAMP, TUBING - .312 LT DUTY	
22	32922	6	INSERT, THD #10-32 SPLINED .020-.130 GR	
23	62269	2	SCREW, .375-16X.75 STD HEX 18-8 SS, RED	
24	60703	2	WASHER, .375 SPLIT LOCK 18-8 SS	
25	15861	1	NUT, SPECIAL .500 NPT LOCK	

ELECTRICAL PANEL ASSEMBLY

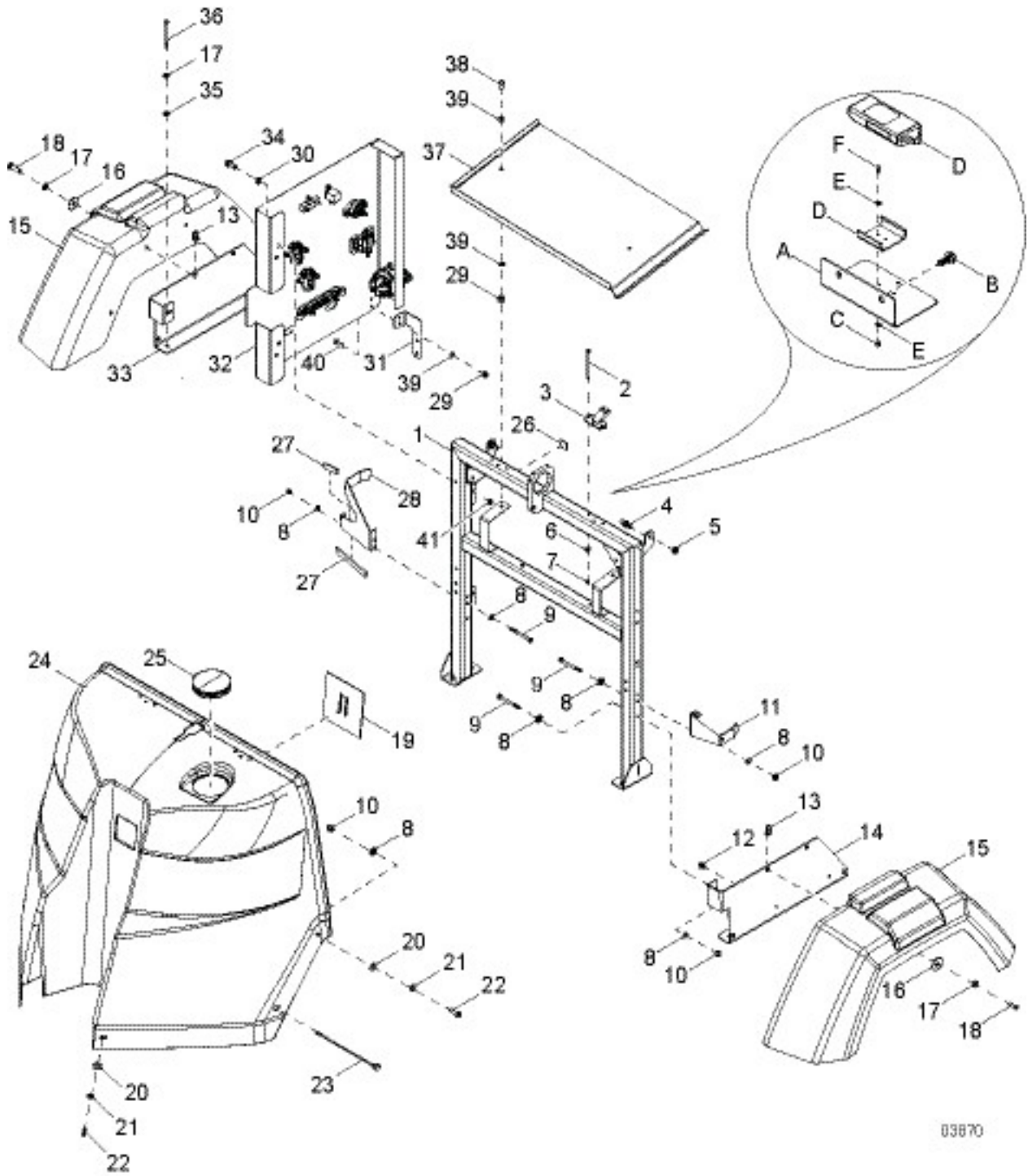


03872

ELECTRICAL PANEL ASSEMBLY

Item	Part No.	Qty	Description	Notes
1	0F5752C	1	RES WW 10R 5% 15W QK CONN	
2	G052777	2	WASHER FLAT M3	
3	0D9784	2	NUT HEX LOCK M3-0.5 NY INS	
4	A0002059576	1	ST03 PLATE RAIN PROTECTION	
5	A0003883175	1	RELAY 60A 48VDC COIL NO	
6	A0003887651	1	BATT DISC 2POLE 500A 48VDC RED PADLOCK	
7	G043107	2	SCREW HHC M8-1.25 X 25 C8.8	
8	A0003876973	1	RED POWER POST, 3/8"	
9	G049811	4	WASHER FLAT M6	
10	0B2236	4	NUT HEX LOCK M6-1 NY INS	
11	G049820	2	NUT HEX LOCK M8-1.25 NY INS	
12	A0003415442	1	BREAKER 100A 48VDC PUSH BUTTON	
13	G043180	6	WASHER FLAT M4	
14	0E6480	6	NUT HEX LOCK M4-0.7 NY INS	
15	A0004901145	1	ASSEMBLY CONTACTOR 12VDC	
16	A0004984020	1	ASSEMBLY CONTACTOR 48VDC	
17	055934G	2	CLAMP STL/VNL .5 X .281 Z	
18	A0003774882	1	BLACK POWER BLOCK	
19	0K4118	2	WASHER FLAT M8	
20	G051713	6	WASHER FLAT M5	
21	G049226	6	WASHER LOCK M5	
22	G045770	6	SCREW HHC M5-0.8 X 10 C8.8	
23	60195	8	RIVET, .188 DIA X .375 TO .500 GRIP LRG FLANGE	
24	A0004281163	1	ST03 TOP PLATE RAIN PROTECTION	
25	A0004240890	1	SEAL RUBBER	
26	A0004166009	1	PLATE RAIN PROTECTION	Item1-25
--	A0003876805	1	CABLE BD TO J(-) MLTB	
--	A0003876802	1	CABLE BD TO CB1 MLTB	
--	A0003876801	1	CABLE BP(+) TO BD MLTB	
--	A0003876810	1	CABLE J(+) TO SC MLTB	
--	A0003876806	1	CABLE J(+) TO CB1 MLTB	
--	A0003876807	1	CABLE J(+) TO CSC MLTB	
--	A0003876804	1	CABLE BP(-) TO BD MLTB	
--	A0003876808	1	CABLE SC TO INV(+) MLTB	
--	A0003876809	1	CABLE J(-) TO INV(-) MLTB	

ENCLOSURE ASSEMBLY (1 OF 2)



ENCLOSURE ASSEMBLY (1 OF 2)

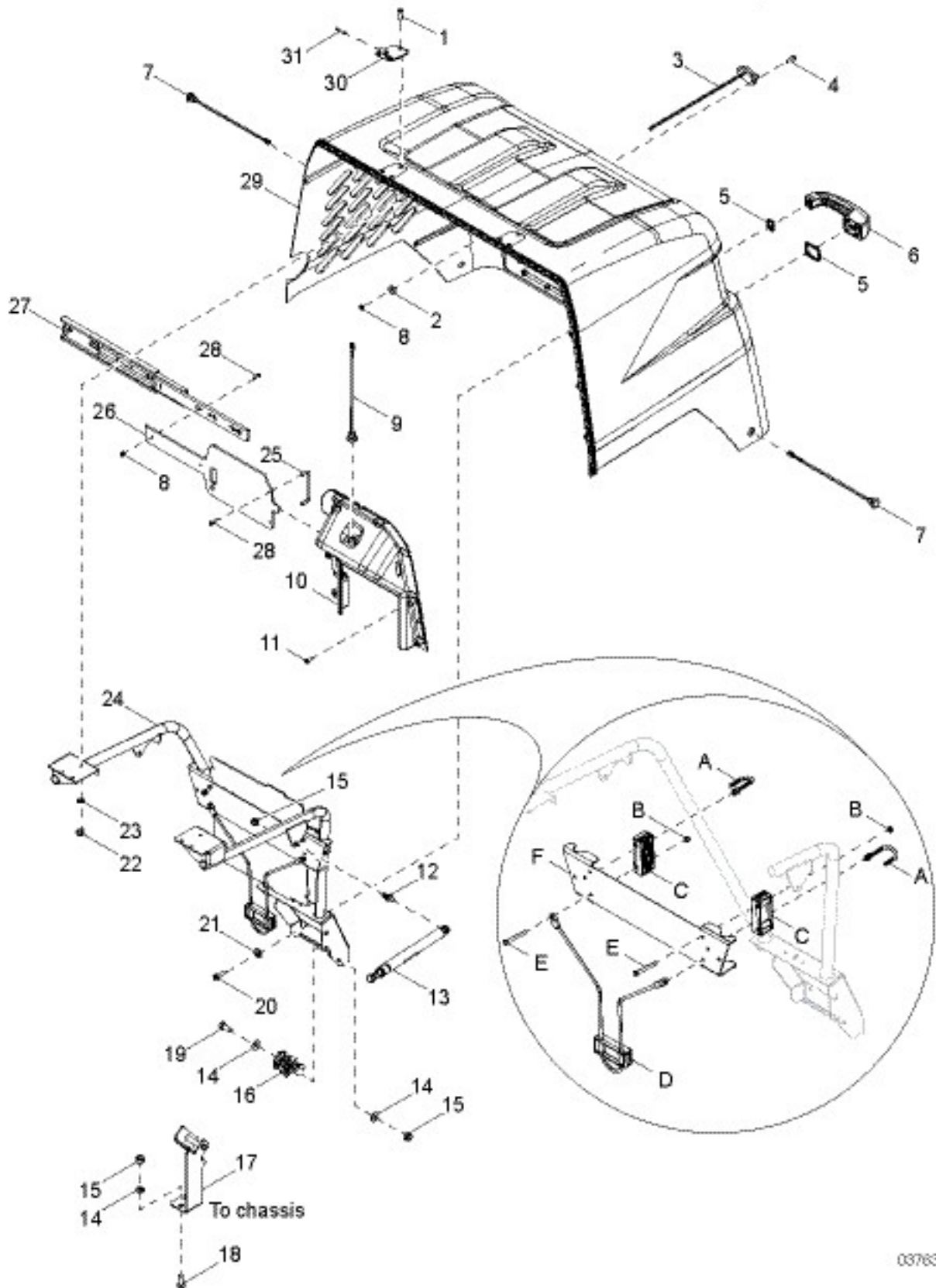
Item	Part No.	Qty	Description	Notes
1	A0002106904	1	ST03 WLDMNT LIFT STRUCTURE MLTB	
2	35282	6	SCREW, 10-24 X 3.0 FLAT HEAD PHILLIPS, SS	
3	10000022542	2	HINGE, OFFSET HOUSING LEAF - FRONT	
4	35293	2	BALL STUD, 10MM, .312-18	
5	60303	2	NUT, .312-18 NYLOCK, G2	
6	60237	6	WASHER, #10 FLAT .495/.036	
7	60457	6	NUT, M6-1.0 WELD, CLASS 5	
8	60243	10	WASHER, .250 FLAT .735/.060	
9	61234	4	SCREW, .250-20 X 2.750 STANDARD HEX, G5	
10	G027529	6	NUT HEX LOCK 1/4-20 NY INS	
11	10000017357	1	STB BRKT GUIDE ENCLSR MTG LH	
12	66685	2	MOUNT,CBL TIE,FIR TREE,.25-.28DIA,.03-.27 GRIP	
13	62086	8	NUT, .312-18 U-CLIP - SHORT TYPE	
14	35141B	1	BRACKET, MOUNTING FENDER - LEFT	
15	10000017287	2	FENDER PLSTC 13IN WHL TEXTRD BLK	
16	60729	8	WASHER, .375 FNDR 1.500/.090 ZC	
17	G022129	12	WASHER LOCK SPRING 5/16 ZC	
18	60028	8	SCREW, .312-18 X 1.0 STANDARD HEX, G5	
19	A0003887289	1	MAST SUPPORT COVER	
20	60696	4	WASHER, .250 FLAT .625/.050 18-8 SS U	
21	60704	4	WASHER, .250 SPLIT LOCK 18-8 SS	
22	68070	4	SCREW, .250-20X1.00 BTN HEX SS	
23	36961	2	ASSY, AMBER SIDE MARKER LIGHT	
24	10000012597	1	HOUSING FRONT TEXTRD WHT	
25	A0003723822	1	MLTB FUEL PORT PLUG	
26	68215	5	MOUNT, CABLE TIE - ADHESIVE 1 IN SQUARE	
27	19351	2	SEAL, U-CHANNEL	
28	10000017378	1	STB BRKT GUIDE ENCLSR MTG RH	
29	G049820	4	NUT HEX LOCK M8-1.25 NY INS	
30	G070264	12	WASHER FLAT M10	
31	A0003723028	1	ST03 SIDE SHIELD BRACKET	
32	A0004166009	1	PLATE RAIN PROTECTION	
33	35216B	1	BRKT, RH MTG, FENDER	
34	G052212	6	SCREW HHC M10-1.25 X 25 C8.8	
35	60119	4	WASHER, .312 FLAT .875/.070	
36	60404	4	SCREW, .312-18X4.000 STD HEX G5 ZC	
37	A0002059578	1	ST03 PLATE RAIN TOP PROTECTION INV	
38	G039253	2	SCREW HHC M8-1.25 X 20 C8.8	
39	G058653	8	WASHER FLAT M8	
40	G043107	2	SCREW HHC M8-1.25 X 25 C8.8	
41	A0000566363	6	NUT HEX LOCK M10-1.5 NYLOCK	

OPTIONAL FEATURES

TELEMETRY OPTIONS (If equipped):

A	A0003944539	1	ST03 UNIVERSAL TELEMATICS MTG. BRACKET
B	68429	2	SCREW, .31-18X.75 FLG HEX G2 ZC SELF TAP
C	0D9784	2	NUT HEX LOCK M3-0.5 NY INS
D	A0003944602	1	TRACKUNIT TU600-5
E	G052777	4	WASHER FLAT M3
F	G051717	2	SCREW HHC M3-0.5 X 10 C8.8

ENCLOSURE ASSEMBLY (2 OF 2)



03763

ENCLOSURE ASSEMBLY (2 OF 2)

Item	Part No.	Qty	Description	Notes
1	35290	6	SCREW, 10-24 X 1.00 FLAT PHILLIPS, SS	
2	60269	2	WASHER, #8 FLAT .433/.036 ZC	
3	A0001653096	1	LIGHT LICENSE PLATE W/ CONNECTORS	
4	60694	2	SCREW, 8-32 X .750 PAN PHILLIPS, SS	
5	70216	1	GASKET, KIT HANDLE, PUSH BUTTON	
6	35138	1	HANDLE, PUSH-BUTTON PADLOCK	
7	36962	2	ASSEMBLY, RED SIDE MARKER	
8	60270	4	NUT, 8-32 NYLOCK, CLASS 6	
9	36964	1	ASSEMBLY, CONTROLS LIGHT	
10	10000012596	1	BEZEL, CONTROL PANEL TEXTURED - BLACK	
11	10000017348	6	SCREW, D60-2.14 X 20TRWH	
12	35293	2	BALL STUD, 10MM, .313-18	
13	35137	2	GAS SHOCK, 120 LB	
14	60119	6	WASHER, .312 FLAT .875/.070	
15	60303	6	NUT, .312-18 NYLOCK, G2	
16	35139	1	LATCH, ROTARY	
17	37178B	1	MOUNT, DOOR LATCH STRIKER	
18	61066	2	SCREW, .312-18 X 1.00 CARRIAGE SQUARE - SS	
19	62001	2	SCREW, .312-18 X 1.250 STANDARD HEX, G5	
20	60146	3	SCREW, M6-1.00X20 PAN PHIL G4.8 ZC	
21	60243	3	WASHER, .250 FLAT .735/.060	
22	60457	6	NUT, 10-24 NYLOCK, G2 ZC	
23	60237	6	WASHER, #10 FLAT .495/.036 ZC	
24	37012B	1	WELDMENT, ENCLOSURE STRUCTURE	
25	37123	1	HANDLE, CONTROL BOX COVER	
26	10000017623	1	COVER, SLIDING CONTROL PANEL	
27	36914	1	SLIDE, CONTROL BOX COVER	
28	62054	4	SCREW, 8-32 X .500 PAN PHILLIPS - SS	
29	10000017682	1	HOUSING REAR TEXTRD WHT	
30	10000022523	2	HINGE, LEAF OFFSET HOUSING - REAR	
31	10000022543	2	HINGE OFFSET HOUSING KNURLED PIN	

OPTIONAL FEATURES

DIFFUSER STORAGE (If equipped):

A	A0000277098	2	U-BOLT M6X1 SS
B	60047	4	NUT, M6-1.00 HEX NYLK CL8.8 ZC
C	A0000277095	2	SPACER PLASTIC
D	A0000277097	1	ASSY CORD ELASTIC MOUNTS AND KEEPER
E	G057058	4	SCREW HHC M6-1.0 X 55 C8.8
F	A0000277086	1	STB BRACKET STORAGE DIFFUSED LENS

FIRE EXTINGUISHER KIT (If equipped):

--	14509	1	FIRE EXTINGUISHER - 5 LB
--	60620	2	SCREW, .250-20X1.000 STD HEX 18-8 SS
--	60696	4	WASHER, .250 FLAT .625/.050 18-8 SS USS
--	A0000282723	1	STB WELDMENT FIRE EXTINGUISHER
--	G027529	2	NUT HEX LOCK 1/4-20 NY INS

GROUND ROD KIT (If equipped):

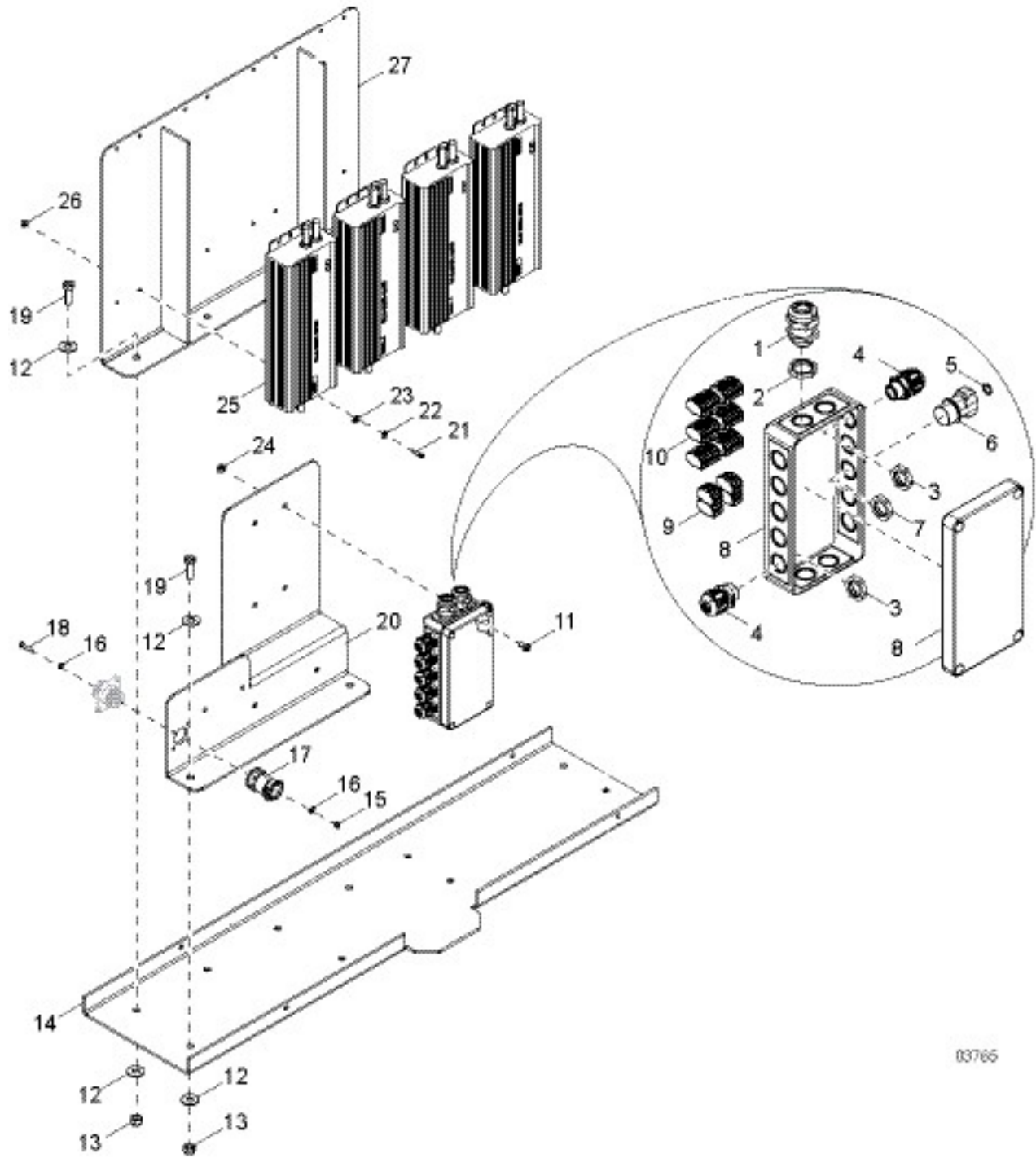
--	A0004198478	1	GROUND ROD KIT
----	-------------	---	----------------

CONTROL BOX ASSEMBLY

Item	Part No.	Qty	Description	Notes
1	14139	1	BLOCK, TERMINAL - 12 POS, 30A, 600V	
2	A0001944336	1	OVERLAY CONTROL PANEL	
3	A0002742397	3	BOOT PUSH BUTTON CIRCUIT BREAKER 3/8-32	
4	CALL*	1	PRGMD DEEP SEA, DSEM835 V1.0	
5	A0002059562	1	KNOB, POTENTIOMETER	
6	A0003415460	1	BOOT CIRCUIT BREAKER TOGGLE CLR	
7	A0003726498	1	ST03 BOX, CONTROL PANEL, MLTB	
8	A0003402730	1	DECAL MLTB RECEPTACLE	
9	14130	1	RECEPTACLE, 120V/20A GFI (5-20R) UL 2003	
10	G080077	6	SCREW PPHM M4-.7 X 20LG ZINC	
11	37017	1	COVER RECEPTACLE - WTHR PROOF 20A GFCI	
12	36939	1	COVER, RECEPTACLE - WEATHER PROOF 20/30A	
13	65285	1	RECEPTACLE 120V/15A INLET(5-15P) FLANGE	
14	G051715	6	NUT HEX M4-0.7 G8 YEL CHR	IN CONTROL BOX
15	A0003887269	1	SEM-FAST BLACK LOCK NUT M20 X 1.5	
16	66695	1	CONN,DEUTSCH 12 POS RECEPT/PIN,FLANGE	
17	0C5141	1	CONN DEUTSCH GASKET 8/12 POS DT	
18	A0003423389	1	ST03 CONTROL BOX BACK PLATE	
19	G045757	10	SCREW HHC M6-1.0 X 25 C8.8	
20	0J7513	10	WASHER LOCK M6 CLEAR ZINC	
21	G049811	10	WASHER FLAT M6	
22	G092120	10	NUT LK TRIC M6X1.0 (.027-.165 GRIP) Y/Z	
23	A0003886752	1	SEM-FAST CONDUIT GLAND 90° G M20X1.5	
24	A0003887240	1	M20 CABLE GLAND, 5308 SERIES	
25	A0003377203	1	CABLE GLAND M20 X 1.5 NUT LT. GREY	
26	A0003415470	1	48VDC/12 VDC CONVERTER	
27	G051787	2	SCREW HHC M4-0.7 X 16 C8.	
28	A0003415457	1	30 AMP HANDLE BREAKER	
29	A0003771257	1	KIT, VOLT ADJ 25K 1W POT W/ WIRE & CONN	W/HARDWARE
30	G051714	8	NUT HEX M3-0.5 G8 CLEAR ZINC	
31	G052777	8	WASHER FLAT M3	
32	A0003415497	1	SELECTOR SWITCH	
33	A0002248545	1	BREAKER, 3A, 1 POLE PUSH BUTTON	
34	A0002248546	1	BREAKER, 10A, DC, 1 POLE PUSH BUTTON	
35	A0004036951	1	BREAKER 15A 1 POLE PUSH BUTTON	
36	29759	1	RELAY,12V COIL,120-240 VAC RATED	
37	G090987	4	SCREW PPHM M3-0.5 X 12	
38	37027	4	SCREW, 10-12 X.500 PAN PHIL PLASTITE ZC	
39	-	2	SCREW, 6-32 X 5/16 SLOTTED	W/A0003415460
40	A0004654783	1	POT SEAL 1/4 SHAFT N9033	
--	A0003383787	1	HARN CTRL BOX MLTB	
--	A0003383788	1	HARN MAIN MLTB	
--	A0004013077	3	FUSE ATM 58VDC 3A VIOLET	W/A0003383788

Note: *To order replacement controller, contact Generac Mobile with unit serial number

DRIVERS AND BATTERY CHARGER TO UNIT

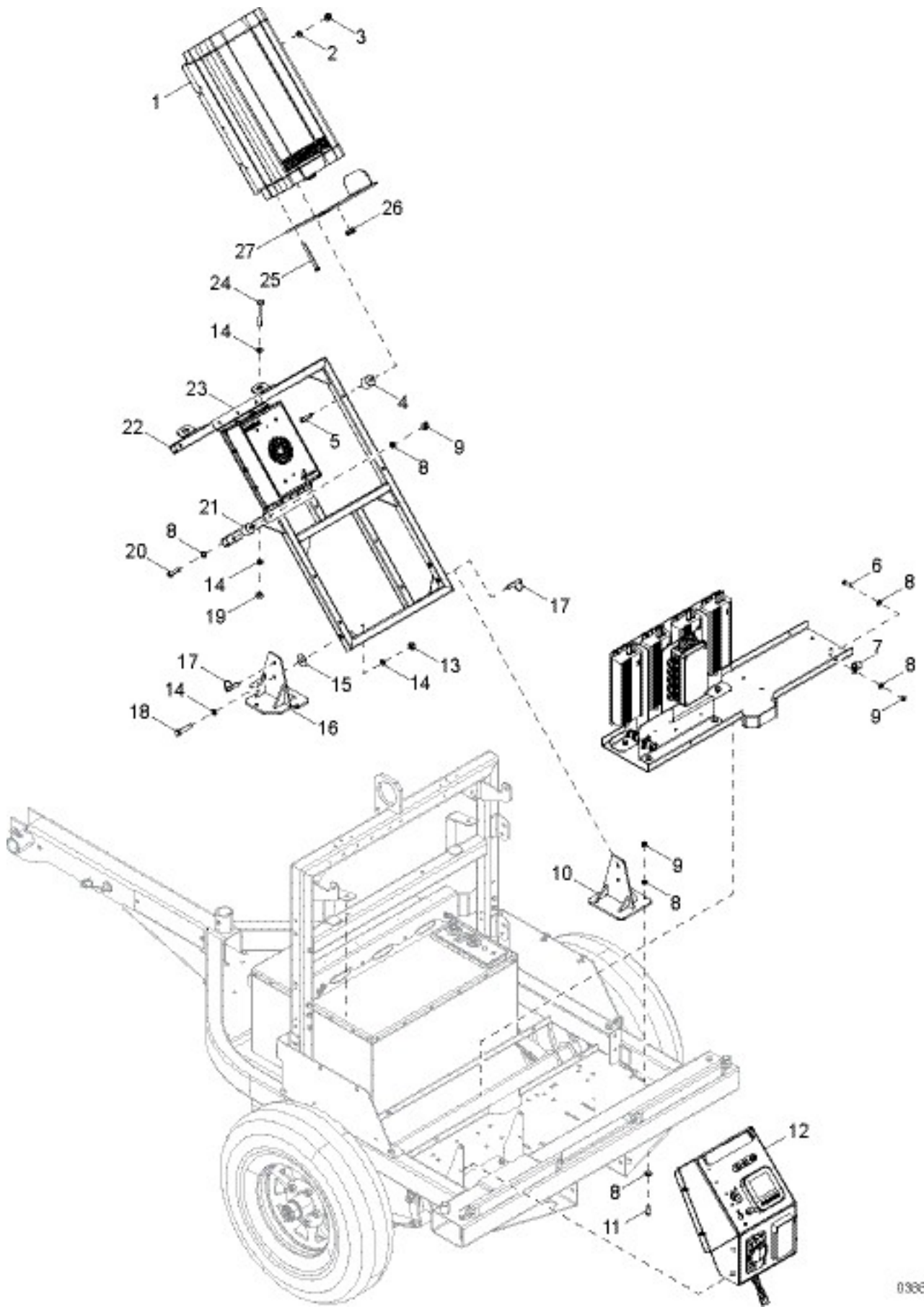


03765

DRIVERS AND BATTERY CHARGER TO UNIT

Item	Part No.	Qty	Description	Notes
1	A0003141221	2	CABLE GLAND M20 X 1.5 LT. GRE	
2	A0003377203	2	CABLE GLAND M20 X 1.5 NUT LT. GREY	
3	A0003377261	9	CABLE GLAND M16 X 1.5 NUT LT. GREY	
4	A0002109380	9	CABLE GLAND M16 X 1.5 LT GREY	
5	A0003891724	1	SEM-FAST, O-RING FOR NW13 TUBE	
6	A0003886742	1	SEM-FAST CONDUIT GLAND STRAIGHT M20X1.5	
7	A0003887269	1	SEM-FAST BLACK LOCK NUT M20 X 1.5	
8	A0003141212	1	JUNCTION BOX, ALTECH 127-410	
9	66100	4	CONNECTOR, 2 POS WAGO	
10	66102	6	CONNECTOR, WAGO 5 POS	
11	G091526	4	SCREW PPHM M5-0.8 X 12 ZNC	
12	G058653	12	WASHER FLAT M8	
13	G049820	6	NUT HEX LOCK M8-1.25 NY INS	
14	A0002059577	1	ST03 PLATE UNDER CHASSIS	
15	0D9784	4	NUT HEX LOCK M3-0.5 NY INS	
16	G052777	8	WASHER FLAT M	
17	A0000098339	1	STRAIN RELIEF 7 PIN CIRCULAR CONNECTOR	
18	G053883	4	SCREW HHC M3-0.5 X 16 C8.8	
19	G043107	6	SCREW HHC M8-1.25 X 25 C8.8	
20	A0002059579	1	ST03 BRKT MOUNT DC TO DC AND BATT	
21	G051787	16	SCREW HHC M4-0.7 X 16 C8.8	
22	G022264	16	WASHER LOCK SPRING #8 ZC	
23	G043180	16	WASHER FLAT M4	
24	G082025	4	NUT HEX LOCK M5-0.8 NYINS ZINC	
25	A0002049705	4	LIGHT DRIVER, HLG 320H-48AB	
26	A0001379587	16	NUT LOCK TRIC M4 X 0.7 Y/ZNC HD	
27	A0002373323	1	ST03 WELDMENT BRACKET DRIVER	
--	A0003876799	1	HARN CC TO DJB MLTB	

INVERTER FRAME ASSEMBLY

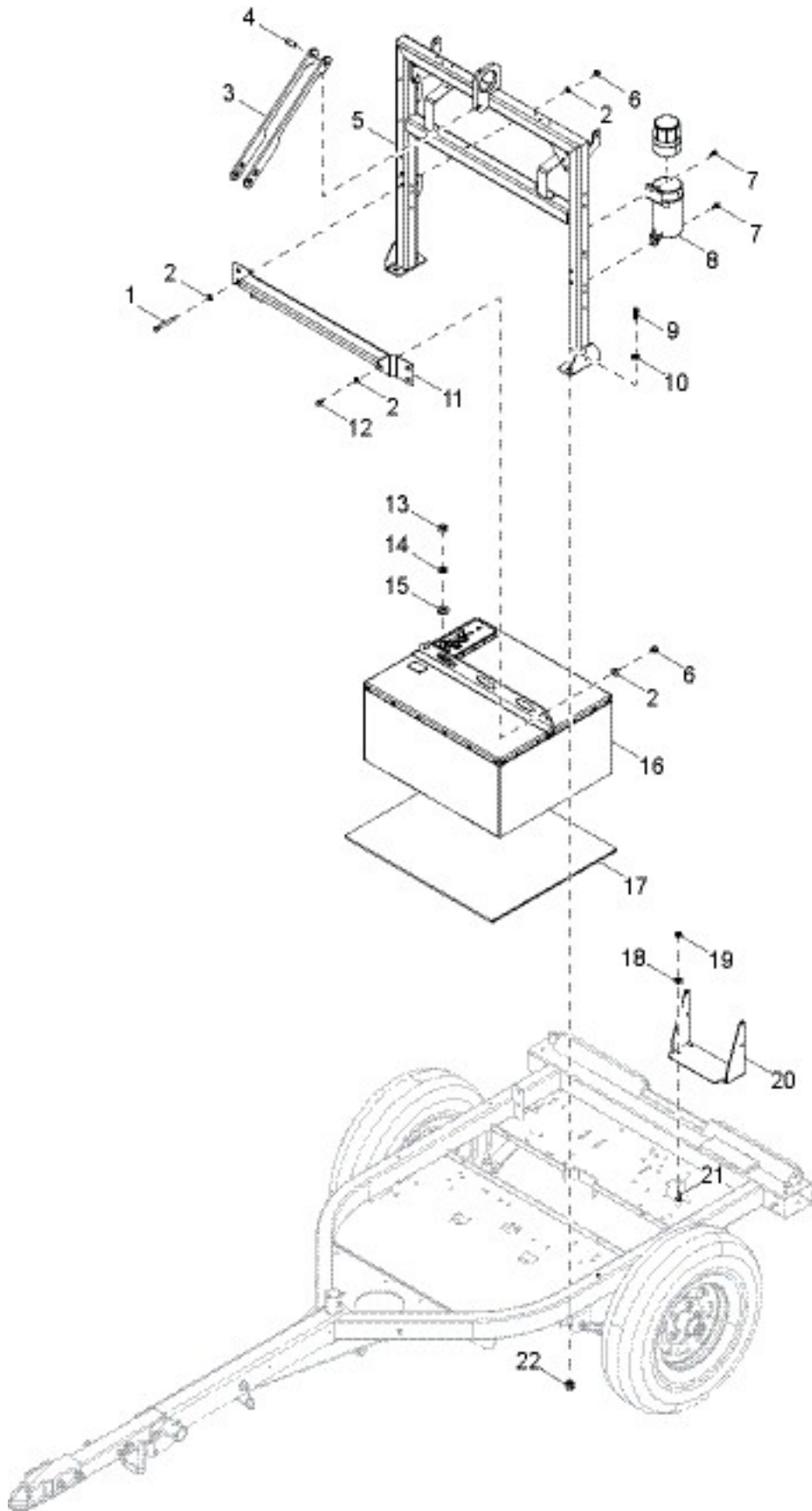


03003

INVERTER FRAME ASSEMBLY

Item	Part No.	Qty	Description	Notes
1	Call*	1	INVERTER, COTEK SD3500-148	
2	G058653	4	WASHER FLAT M8	
3	G049820	4	NUT HEX LOCK M8-1.25 NY INS	
4	A0002090960	4	STUD/PLATE MOUNTS M8 X 1.25 X 14	
5	0D2414	4	SCREW HHFC M8-1.25 X 35 G8.8	
6	G042568	4	SCREW HHC M6-1.0 X 20 C8.8	
7	055934A	1	CLAMP STL/VNL .62 X .281 Z	
8	G049811	26	WASHER FLAT M6	
9	0A1703	13	NUT HEX LOCK M6-1.0 NY INS	
10	A0002044799	1	ST03 WLDMNT LEFT BRACKET FRAME INV	
11	G045757	5	SCREW HHC M6-1.0 X 25 C8.8	
12	page 22	1	ASSEMBLY, CONTROL BOX	
13	A0000566363	2	NUT HEX LOCK M10-1.5 NY INS	
14	G070264	8	WASHER FLAT M10	
15	A0000221212	2	WASHER FLAT M12 x 37OD x 1.5THK NYLON	
16	A0002059574	1	ST03 WLDMNT RIGHT BRACKET FRAME	
17	0G9418	2	PIN QUICK RELEASE 3/8 DIA	
18	10000006634	2	SCREW HHC M10-1.5 X 50 C10.9 FT	
19	G046525	2	NUT HEX M10-1.25 G8	
20	G049721	4	SCREW HHC M6-1.0 X 35 C8.8 CLR	
21	A0002834497	4	STUD/PLATE MOUNTS M6 X 1.0 X 11.5	
22	A0002044798	1	ST03 WELDMENT FRAME INV	
23	A0003414433	1	ASSEMBLY, 23A 110V CHARGER	
24	G077951	2	SCREW SHC M10-1.25 X 90 C10.9	
25	0D6142	2	SCREW PPHM M4-0.7 X 40	
26	G022717	1	GROMMET 5/8 X 1/16 X 1/2	
27	A0003982493	1	ST03 INVERTER GUARD	
--	A0004521454	4	GROUND STRAP 8 X 1.5	w/0G5445 (1)
--	66685	1	MOUNT,CABLE TIE.25-28DIA.031-.27 GRIP	
--	G077211	1	LUG DIS F-FST 22-18AWG BR/TI	
--	0A5373F	1	WIRE 300V 20AWG BLK	
--	A0003876809	1	CABLE J(-) TO INV(-) MLTB	
--	A0003876808	1	CABLE SC TO INV(+) MLTB	

LIFT STRUCTURE AND BATTERY ASSEMBLY



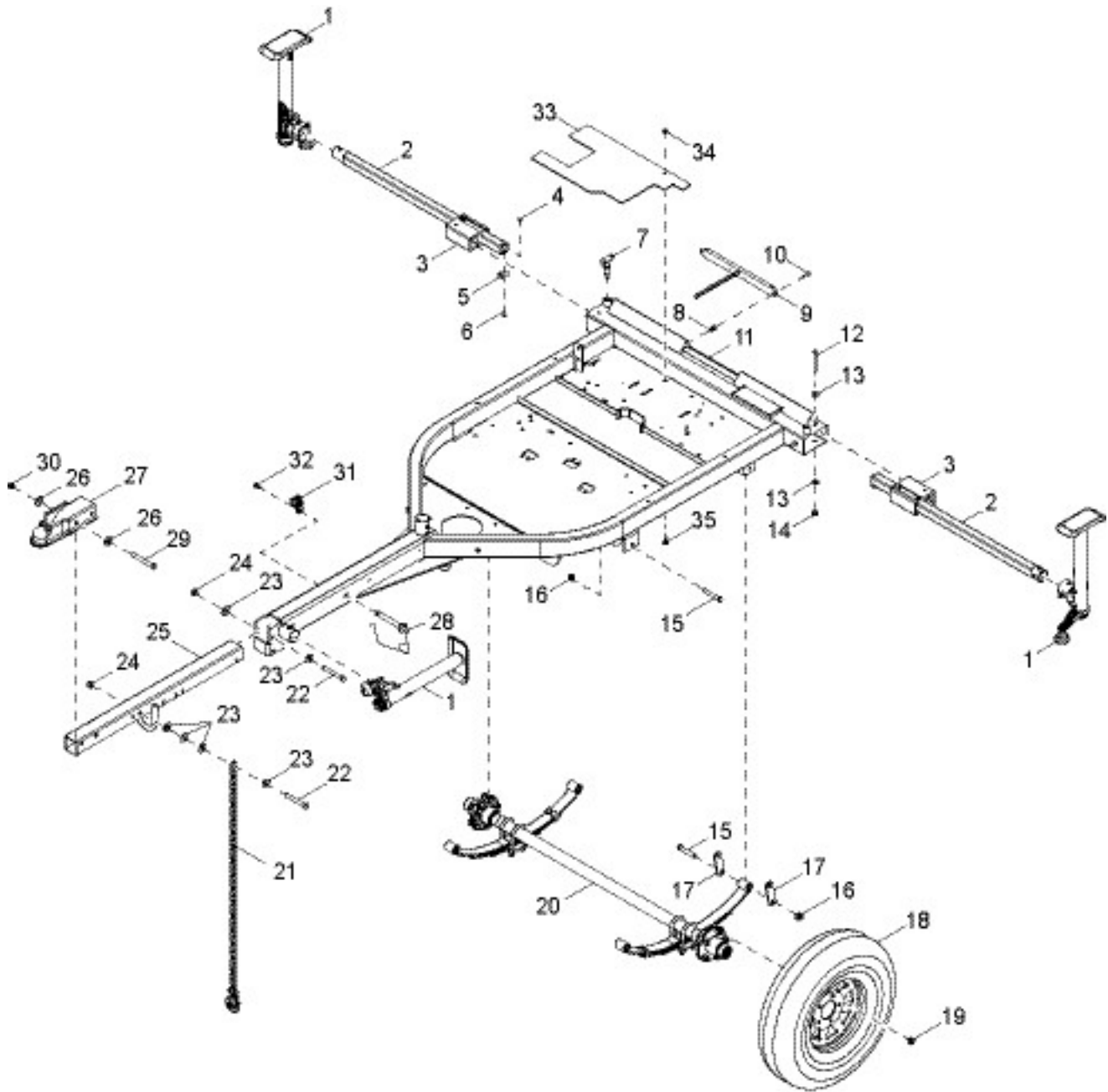
09767

LIFT STRUCTURE AND BATTERY ASSEMBLY

Item	Part No.	Qty	Description	Notes
1	A0003401835	4	SCREW HHC M8-1.25 X 70 C10.9	
2	G058653	16	WASHER FLAT M8	
3	39660B	2	BAR, CHASSIS SUPPORT	
4	63325	1	PIN, CLEVIS- .500 DIA X 1.063 UL, ZP(SLI	
5	A0002106904	1	ST03 WLDMNT LIFT STRUCTURE MLTB	
6	G049820	8	NUT HEX LOCK M8-1.25 NY INS	
7	0D6029	2	SCREW HHTT M6-1.0 X 16 ZYC	
8	36988	1	MANUAL HOLDER, 4 IN DIA. BLACK FOOT MTG	
9	G059981	4	SCREW HHC M10-1.5 X 30 C10.9	
10	G070264	4	WASHER, FLAT M10	
11	A0002106903	1	ST03 PLATE MOUNT BATTERY ON LIFTING BAIL	
12	G039253	4	SCREW HHC M8-1.25 X 20 C8.8	
13	G022241	2	NUT HEX 3/8-16 STEEL	
14	G022237	2	WASHER LOCK 3/8	
15	0G3787	2	WASHER FLAT .41ID .94OD .12THK	
16	CALL*	1	PRGMD BATTERY LILON 48DVC 444AH V1.0	
17	A0002447133	1	RUBBER SHEET .188X25.6X60A DUROMETER	
18	G058653	4	WASHER FLAT M8	
19	G067989	4	NUT HEX FL WHIZ M8-1.25	
20	A0003748825	1	ST03 BRKT/CNTRL BOX MLTB	
21	0H1781C	4	BOLT CARRIAGE M8-1.25 X 25MM	
22	A0000566363	4	NUT HEX LOCK M10-1.5 NY INS	

Note: *To order replacement battery, contact Generac Mobile

TRAILER ASSEMBLY



D387B

TRAILER ASSEMBLY

Item	Part No.	Qty	Description	Notes
1	72126	3	JACK, TOP WIND - 1200 LB, TUBE MOUNTED	
2	70230ZY	2	WELDMNT, OUTRIGGER TUBE	
3	36869	2	GUIDE BLOCK (MOLDED) - OUTRIGGER	
4	G027529	4	NUT HEX LOCK 1/4-20 NY IN	
5	72128	2	PAD/STOP, WEAR - OUTRIGGER	
6	73196	4	SCREW, .250-20 X 2.25 SOCKET HEAD	
7	36890	2	SPRING PIN, HANDLE	
8	A0000087390	4	INSERT RIBBED #8-32 .080-.130 FRIP CLOSE	
9	36960	2	ASSEMBLY, TAIL LIGHT	
10	60694	4	SCREW, 8-32 X .750 PAN PHILLIPS	
11	10000021817	1	STB WLDMNT LT CHASSIS MLT6S W LTS	
12	G052898	2	SCREW HHC M8-1.25 X 100 C8.8	
13	G058653	4	WASHER, FLAT M8	
14	G049820	2	NUT HEX LOCK M8-1.25 NY INS	
15	60503	6	SCREW, SHACKLE, .562-18 X 3.00 STD HEX, G5	
16	60504	6	NUT, .562-18 LOCK HEX, G5	
17	19637	4	PLATE, SHACKLE BRACKET - 3.125"	
18	15976B	2	WHEEL, ST175/8013 - 1360 LB	
19	60096	10	NUT, .500-20 LUG, G5	
20	34760	1	AXLE, 2200LB 47TC 35SC	
21	23367	2	CHAIN, SAFETY - 7800 LBS RATED	
22	G052623	3	SCREW HHC M12-1.75 X 100 PC8.8	
23	G052259	10	WASHER FLAT M12	
24	0D7119	3	NUT HEX LOCK M12-1.75 NY INS	
25	17969B	1	WELDMNT, TILT TONGUE	
26	G022304	4	WASHER FLAT 1/2 STEEL ZINC	
27	16830	1	COUPLER, 2.00 BALL/2.50 CHANNEL	
28	33943	2	PIN, LOCKING .500 X 3.50	
29	50215	2	SCREW, .500-13X4.000 STD HEX G5 ZC	
30	62221	2	NUT, .500-13 NYLK G5 ZC	
31	16143	2	CLAMP, TUBING - .500	
32	60268	2	RIVET, .188 DIA X .126 TO .250 GRIP SS	
33	A0004240880	1	RUBBER MAT SPLASH GUARD	
34	G067989	1	NUT HEX FL WHIZ M8-1.25	
35	0H1781C	1	BOLT CARRIAGE M8-1.25 X 25MM	
--	68348	1	HARNESS, TRAILER WIRING, TANDEM TOW	
--	68324	1	HARNESS, TRAILER ENCLOSURE FRONT	
--	A0004009710	1	HARN TRAILER REAR MLTB	

TANDEM TOW / HITCH OPTIONS

Item	Part No.	Qty	Description	Notes
1	60139	4	SCREW, .375-16X1.500 STD HEX G5 ZC	
2	60386	8	WASHER, .375 FLAT .993/.064 ZC	
3	50877	1	DECAL, TANDEM TOW MLT6/8S	
4	61129	1	BALL, 2.00 IN - 1.00 SHANK, LOW RISE	
5	39646B	1	HITCH, TANDEM TOW, MLT6/8	
6	60205	4	SCREW, .375-16X1.000 STD HEX G5 ZC	
7	60358	4	NUT, .375-16 NYLK G5 ZC	
8	60525	2	SCREW, 8-32X1.500 PAN PHIL G2 ZC	
9	60269	2	WASHER, #8 FLAT .433/.036 ZC	
10	16143	2	CLAMP, TUBING - .500	
11	25515B	1	PLATE, MOUNTING, CONN, MLT6/8S TANDEM TO	
12	60236	2	WASHER, #8 SPLIT LOCK ZC	
13	G022471	2	NUT HEX #8-32 STEEL	
--	60195	2	RIVET, .188 DIA X .375 TO .50 GRIP FL ZC	
--	68348	1	HARN, TRAILER WIRING, TDM TOW	

OPTIONAL FEATURES

COMBO HITCH (If equipped):

A	34792ZC	1	WELDMENT, COMBO HITCH - 2.50 TONGUE
B	50215	2	SCREW, .500-13 X 4.0 STANDARD HEX, G5
C	G022304	4	WASHER FLAT 1/2
D	62221	2	NUT, .500-13 NYLOCK, G5

BULLDOG HITCH 2.00 (If equipped):

C	G022304	4	WASHER FLAT 1/2
D	62221	2	NUT, .500-13 NYLOCK, G5
E	13003B	1	WLDMNT,CPLR,2 INBALL/3.00 CHANNEL
F	60376	2	SCREW, .500-13 X 4.5 STANDARD HEX, G5

LUNETTE RING HITCH (If equipped):

B	50215	2	SCREW, .500-13 X 4.0 STANDARD HEX, G5
C	G022304	4	WASHER, .500 FLAT
D	62221	2	NUT, .500-13 NYLOCK, G5
G	16835B	1	WELDMENT, LUNETTE RING - 3.0 X 1.0 RING/2.50

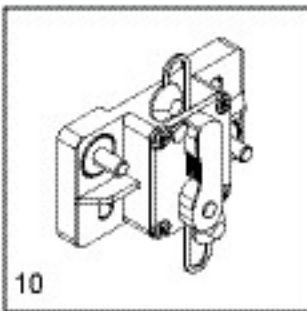
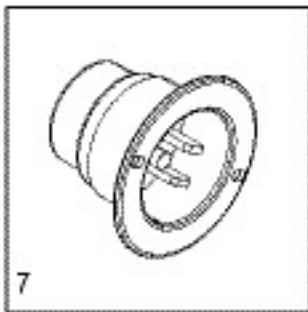
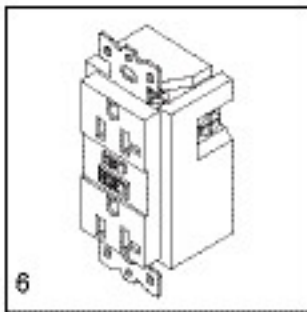
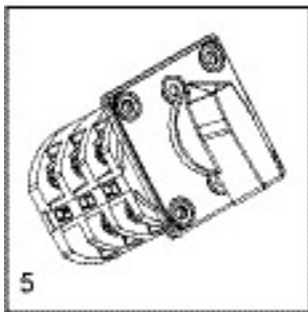
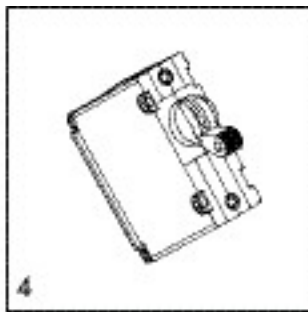
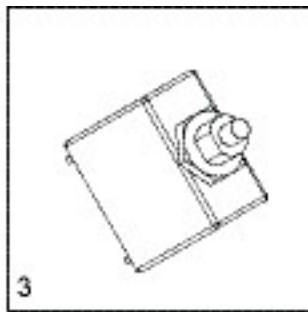
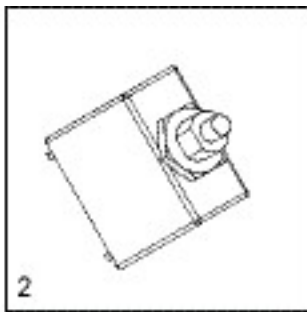
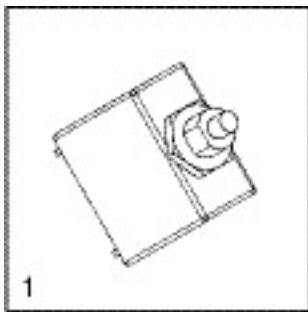
BULLDOG HITCH 2.312 (If equipped):

B	50215	2	SCREW, .500-13 X 4.0 STANDARD HEX, G5
C	G022304	4	WASHER, .500 FLAT
D	62221	2	NUT, .500-13 NYLOCK, G5
H	12155B	2	SPCR, COUPLER - BLACK
J	17807B	1	COUPLER, 2.312 BALL/3.00 CHANNEL

ADAPTOR (If equipped):

--	A0004405340	1	ADAPTER OPTION FLAT 4 TO ROUND 7 SPADE
----	-------------	---	--

RECOMMENDED SPARE PARTS - ELECTRICAL



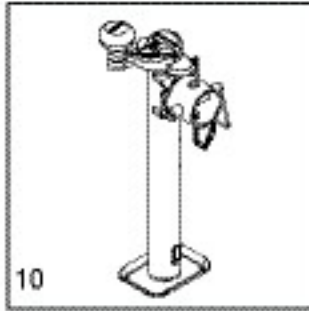
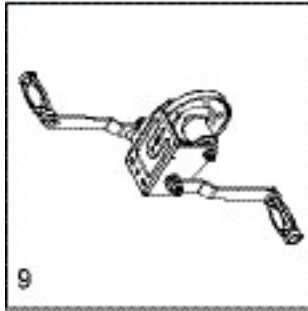
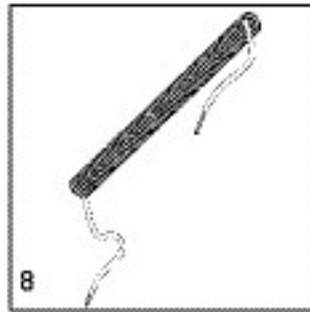
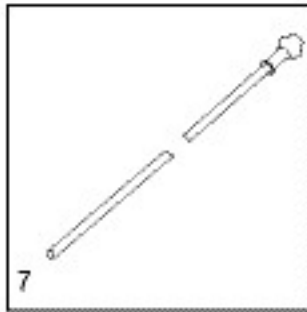
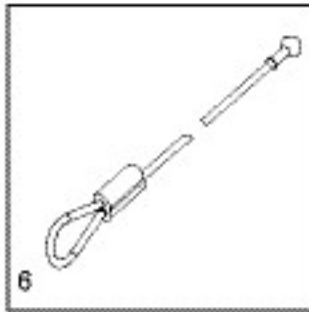
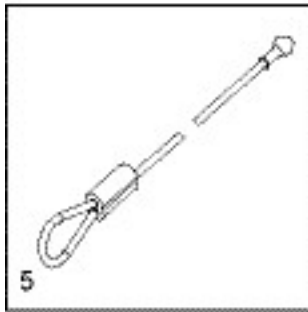
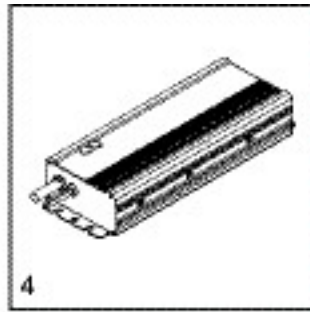
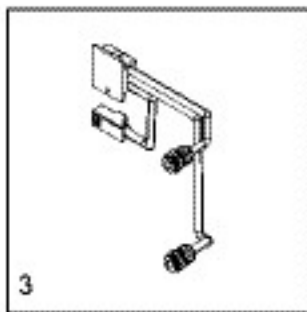
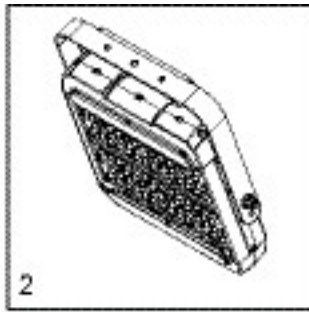
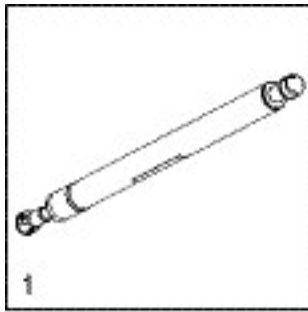
03675

RECOMMENDED SPARE PARTS - ELECTRICAL

ELECTRICAL

1. BREAKER,3A,1 POLE PUSH BUTTON.....	A0002248545
2. BREAKER,15A,1 POLE PUSH BUTTON.....	A0004036951
3. BREAKER,10A, DC, 1 POLE PUSH BUTTON.....	A0002248546
4. 30 AMP HANDLE BREAKER	A0003415457
5. SELECTOR SWITCH	A0003415497
6. RECEPTACLE, 120V/20A GFI (5-20R) UL 2003.....	14130
7. RECEPTACLE 120V/15A INLET(5-15P) FLANGE.....	65285
8. ASSEMBLY CONTACTOR 12VDC COIL 100A	A0004901145
9. ASSEMBLY CONTACTOR 48VDC COIL 100A	A0004984020
10. BREAKER 100A 48VDC PUSH BUTTON.....	A0003415442
11. HANDHELD BATTERY TESTER (NOT SHOWN).....	MGUPN401
12. FUSE ATM 58VDC 3A - VIOLET (NOT SHOWN)	A0004067399

RECOMMENDED SPARE PARTS - MAST AND LIGHTS



03769

RECOMMENDED SPARE PARTS - MAST AND LIGHTS

ENCLOSURE

1. GAS SHOCK 35137

MAST

2. ASSY LED LIGHT HARD WIRE 240W W/GRND A0001893908

3. 3 POS CABLE 2 WAY SPLITTER PARRALLEL A0001893906

4. LIGHT DRIVER, HLG 320H-48AB..... A0002049705

5. CABLE, 79.75 IN 31248

6. CABLE, 78 IN 31277

7. CABLE, 144 IN 31247

8. COIL CORD ASSEMBLY A0000098118

9. WINCH, MANUAL, 1500LB, DUAL HANDLE 72127

JACKS

10. JACK, TOP WIND, 1200 LB 72126

This Page Intentionally Left Blank

Part No. A0002502592 Rev. C 05/10/2024

©2024 Generac Power Systems, Inc.
All rights reserved.
Specifications are subject to change without notice.
No reproduction allowed in any form without prior written consent
from Generac Power Systems, Inc.

GENERAC[®] | **MOBILE**

Generac Power Systems, Inc.
S45 W29290 Hwy. 59, Waukesha WI 53189
[GeneracMobileProducts.com](https://www.GeneracMobileProducts.com) | 844-ASK-GNRC | 844-275-4672