

Power Series Transfer Switch

200 – 5,000 Amps

Service Entrance Rated · Bypass Isolation · Power Frame Type · Open and Delayed Transition

- Bypass Isolation Transfer Switch, 100% Service Entrance Rated
- 200 – 5,000 A, up to 600 VAC, 50/60 Hz
- 3 or 4 Poles
- NEMA 1 or 3R
- Open with Inphase or Delayed Transition
- UL1008 Listed
- CSA C22.2 No. 178 Certified



Image used for illustration purposes only

Codes and Standards

Not all codes and standards apply to all configurations. Contact factory for details.



UL 1008 Listed



CSA C22.2 No. 178 Certified



NFPA 37, 70, 99, 110



NEC 700, 701, 702, 708



NEMA ICS10, MG1, 250, ICS6, AB1



ANSI C62.41



IEC 61000 EMC Testing and Measuring



IBC 2009, CBC 2010, IBC 2012, ASCE 7-05, ASCE 7-10, ICC-ES AC-156 (2012)

Description

Generac's Service Entrance Bypass Isolation, Power Frame Type Transfer Switch integrates automatic power switching with required disconnecting, grounding, and bonding for use as service entrance equipment. The integrated service entrance power switch meets all National Electrical Code requirements for service entrance use in a compact package. The switches are rated for full load transfers in critical operating, emergency, legally required, and optional power systems. Designed with integral overcurrent protection and a 100% rated disconnect breaker for unmatched safety, performance, and reliability. The full assembly is listed to UL 1008 with exceptional 3 cycle withstand and close on ratings. Generac's Bypass, Power Frame Type Transfer Switch has short time ratings for selective coordination and a high speed switching time of < 3 cycles to minimize the effect of power disturbances. The power switching devices are interchangeable between the ATS and Bypass. The switching mechanism is enabled for safe manual transfer under load. With integral contact wear indication, preventative maintenance can be scheduled when convenient for the user ensuring maximum uptime. System parameters can be uploaded with a USB drive in moments, minimizing installation time.

The control's 4.3 inch color display and mimic bus diagram simplifies programming, routine operation, data presentation, and setting adjustments. The intuitive, grouped data screens along with the supervisory and highly customizable data acquisition allow the user to configure to their needs. Standard features include Modbus® RTU, extensive user customizable input/outputs, 450 event log with capture for the most recent 12 events, with three phase sensing on both sources, plus load for voltage, frequency, sequencing, loss, and unbalance.

Power Series Transfer Switch

200 – 5,000 Amps

Service Entrance Rated · Bypass Isolation · Power Frame Type · Open and Delayed Transition

STANDARD FEATURES

GENERAL

- Single Motion Rack-out with Doors Closed
- Interlocked Mechanism to Prevent Simultaneous Connection to Both Power Sources
- Front Access
- Cable Entry is Side, Rear, Top, and Bottom
- Isolated Compartments for Improved Safety
- Drawout Design
- ATC-900 Controller
- Mimic Diagram with Source Available and Connected LED Indication
- Field-Selectable Multi-tap Transformer Panel Permits Operation on a Wide Range of System Voltages
- Event Logging and Recording 450 Time-Stamped Events
- System TEST Pushbutton
- Programmable Plant Exerciser
- Modbus® RTU

VOLTAGE AND FREQUENCY SENSING

- Three Phase Under and Over Voltage Sensing on Normal and Emergency Sources, Plus Load
- Under and Over Frequency Sensing on Normal, Emergency, and Load
- Three Phase Sequence Sensing for Phase Sensitive Loads
- Three Phase Voltage Unbalance and Loss Sensing

CONTACTS

- Source Available:
 - Source-1 Present, 1-N.O. and 1-N.C.
 - Source-2 Present, 1-N.O. and 1-N.C.
- Switch Position:
 - Source-1 Position, 1-N.O. and 1-N.C.
 - Source-2 Position, 1-N.O. and 1-N.C.

STANDARD CONTROL PARAMETERS

- Up to 20 Parameters Available with Expandable Input/Output Modules

CONTROL INPUTS (4 STANDARD)

- Monitor Mode
- Bypass Timers
- Lockout
- Manual Retransfer On/Off
- Manual Retransfer
- Slave In
- Remote Engine Test
- Preferred Source Selection
- Go to Emergency
- Emergency Inhibit
- ATS on Bypass
- Go to Neutral

CONTROL OUTPUTS (4 STANDARD)

- Load Sequence
- Selective Load Shed
- Load Bank Control
- Pre/Post-Transfer
- Pre-Transfer
- User Remote Control
- Source 1 Available (Standard)
- Source 2 Available (Standard)
- Source 1 Connected
- Source 2 Connected
- ATS Not in Automatic
- General Alarm
- ATS in Test
- Engine Test Aborted
- Cooldown in Process
- Engine Start Contact Status
- Generator 1 Start Status
- Generator 2 Start Status
- Emergency Inhibit On
- ATS On Bypass

CONFIGURABLE OPTIONS

GENERAL

- Digital Multi-Function Power Quality Metering
- Ethernet Connectivity
- Remote Annunciator Panel with Control
- Remote Multi-Switch Annunciator Panel with Control
- 2 or 4 Position Selector Switch
- Transient Voltage Surge Suppression (TVSS)
- Padlockable Cover for Controller
- Padlockable Cover for Device Panel
- Selectable Retransfer
- Manual Generator Retransfer

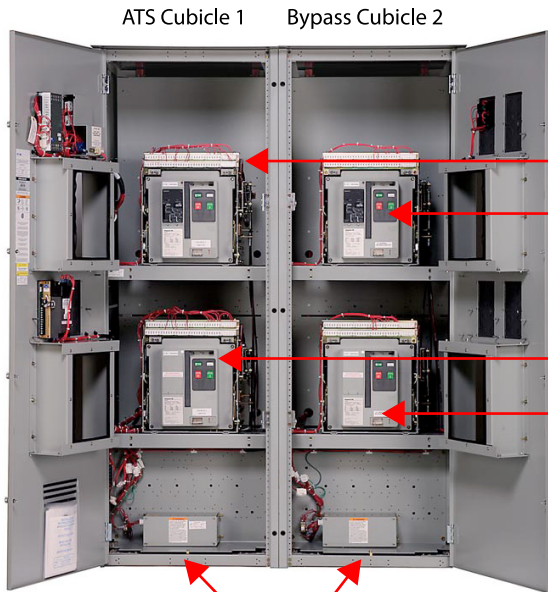
CAM-LOK™ QUICK CONNECT TERMINALS

- Male Receptacle, E1016 Series
- Color Coded to Industry Standard
- Hinged Thermoplastic Covers
- 100% Ground Ampacity

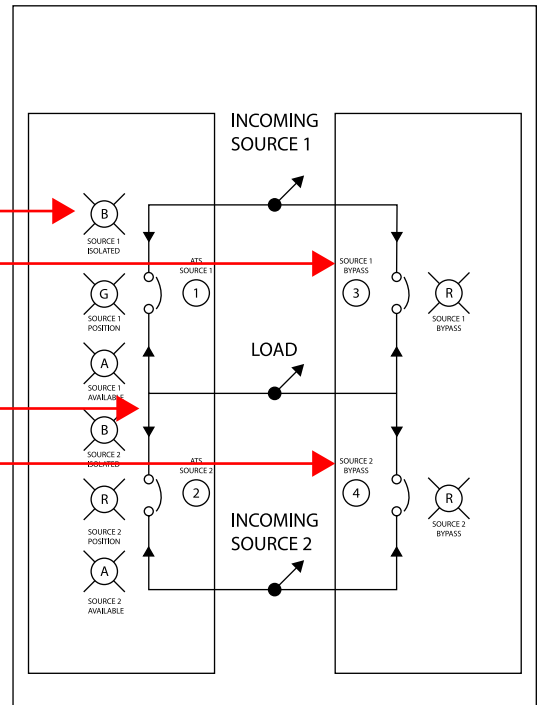
Power Series Transfer Switch

200 – 5,000 Amps

Service Entrance Rated · Bypass Isolation · Power Frame Type · Open and Delayed Transition



Multi-Tap Transformer



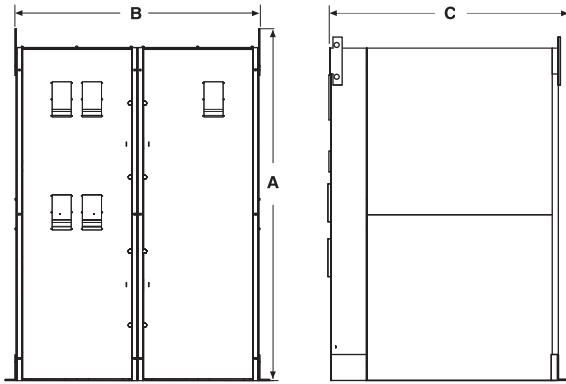
Power Series Transfer Switch

200 – 5,000 Amps

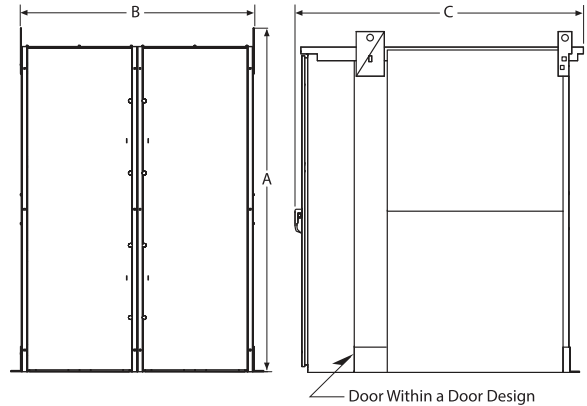
Service Entrance Rated · Bypass Isolation · Power Frame Type · Open and Delayed Transition

UNIT DIMENSIONS*

200 - 3,200A Drawout NEMA 1



200 - 3,200A Drawout NEMA 3R



Bypass Isolation, Power Frame Drawout Transfer Switches

Amperes	Poles	Enclosure Type (NEMA)	in (mm)			Cu/Al		lbs (kg)
			A (Height)	B (Width)	C (Depth)	Load Side, Normal and Standby Source	Neutral Connection	Weight
200 - 2,000	3	1	90.0 (2,286)	64.0 (1,626)	60.0 (1,524)	(6) 1/0-750 MCM	(24) 4/0-500 MCM	3,100 (1,409)
		3R	90.0 (2,286)	64.0 (1,626)	75.0 (1,905)	(6) 1/0-750 MCM	(24) 4/0-500 MCM	4,100 (1,864)
	4	1	90.0 (2,286)	64.0 (1,626)	60.0 (1,524)	(6) 1/0-750 MCM	–	3,700 (1,682)
		3R	90.0 (2,286)	64.0 (1,626)	75.0 (1,905)	(6) 1/0-750 MCM	–	4,700 (2,136)
2,500 - 3,200	3	1	90.0 (2,286)	64.0 (1,626)	60.0 (1,524)	(9) 1/0-750 MCM	(36) 4/0-500 MCM	4,700 (2,136)
		3R	90.0 (2,286)	64.0 (1,626)	75.0 (1,905)	(9) 1/0-750 MCM	(36) 4/0-500 MCM	5,700 (2,591)
	4	1	90.0 (2,286)	64.0 (1,626)	60.0 (1,524)	(9) 1/0-750 MCM	–	5,500 (2,500)
		3R	90.0 (2,286)	64.0 (1,626)	75.0 (1,905)	(9) 1/0-750 MCM	–	6,500 (2,955)

For 4,000 and 5,000 A dimensions, please contact factory.

UL 1008 Withstand and Closing Ratings

Ampere Rating	Rating When Used with Upstream Circuit Breaker	
	3 Cycle 600 V (kA)	30 Cycle 600 V (kA)
200 - 2,000	100	85
2,500	100	85
3,200	100	85
4,000	100	85
5,000	–	85 ¹

¹ UL 1066 short-time withstand rating

* All measurements are approximate and for estimation purposes only. Specification characteristics may change without notice. Please contact a Generac Power Systems Industrial Dealer for detailed installation drawings. Contact factory for dimensions on Cam-Lok™ option switches